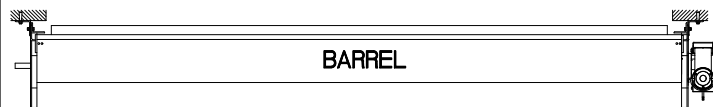


**ELEVATION**

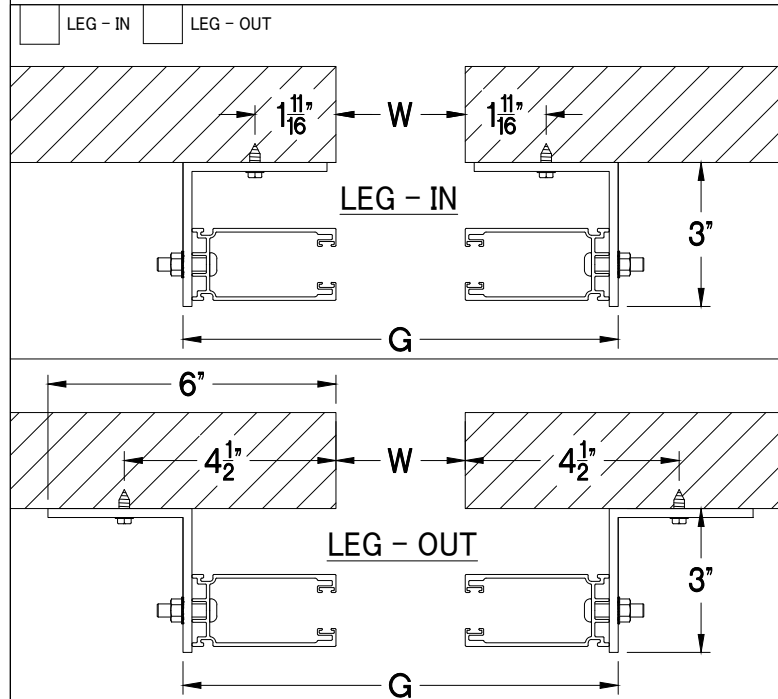
**SECTION-A-A**

- GENERAL NOTES:**
- Right Hand Shown, Left Hand Opposite
  - Guide brush/seal:
  - Structural Steel Guides and Headplates Powder Coated:
  - Base Door Weight (excludes options/accessories):

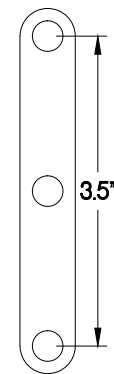


**PLAN VIEW**

**GUIDE DETAIL**



**LINKAGE DETAIL**



800HP SERIES

QTY.	OPENING WIDTH	OPENING HEIGHT	OPERATION	HAND	COLOR	CONTRACTOR:	PROJECT:
						DISTRIBUTOR:	ARCHITECT:

OPTIONS:

BY:	REF.#:
DATE:	SHEET: OF:

APPROVAL SIGNATURE: \_\_\_\_\_ DATE: \_\_\_\_\_