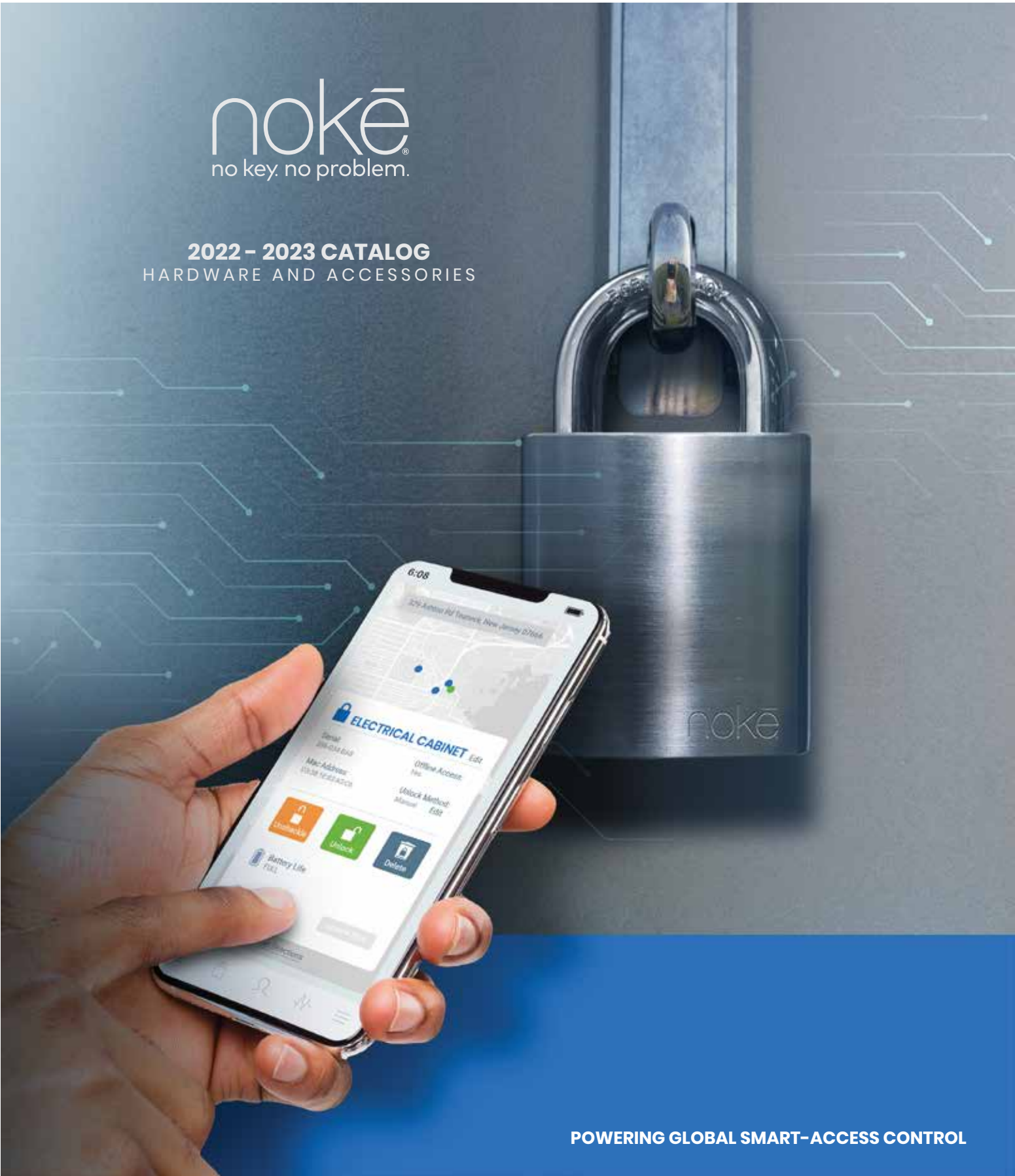


nokē[®]
no key. no problem.

2022 - 2023 CATALOG
HARDWARE AND ACCESSORIES



POWERING GLOBAL SMART-ACCESS CONTROL

nokē

NOW, YOUR SMART LOCKS AND SMART DOOR CONTROLLERS ARE ALL CONNECTED, SHARING DATA IN REAL-TIME AND KEEPING TRACK OF ALL YOUR LOCK ACTIVITY.

You've eliminated the stress of traditional key management, and your assets and employees are better protected than ever before. Lock notifications are sent to your phone, you control who comes and goes, and your people use their smartphones to lock and unlock

Control your enterprise-grade security from here.



With Noke's simple app, cloud-based web dashboard, and smart-locking hardware, deploy a smarter access control platform that provides your enterprise-grade businesses with accountability, ease, cost savings, improved safety, and a modernized security solution.

no key. no problem.

NOKĒ PRODUCTS 2022-2023

HARDWARE

NOKĒ SMARTLOCKS



**NOKĒ HD SMART
PADLOCK**

SKU **NHDM**
P5



**NOKĒ HD+ SMART
PADLOCK W/SHROUD**

SKU **NHDMPL**
P5



**NOKĒ
LOCK BLOCK**

SKU **SDHHD**
P7-8

NOKĒ SMARTLOCK SHACKLES



SHACKLE: 6.5MM X 25MM

SKU **S6HD**
P6

SHACKLE: 6.5MM X 50MM

SKU **L6HD**
P6



SHACKLE: 8MM X 25MM

SKU **S8HD**
P6

SHACKLE: 8MM X 50MM

SKU **L8HD**
P6



SHACKLE: 10MM X 25MM

SKU **S10HD**
P6

SHACKLE: 10MM X 50MM

SKU **L10HD**
P6

NOKĒ DOOR CONTROLLERS



**IN-WALL
BATTERY POWERED
PROPRIETARY D-CELL**

SKU **UCDB**
P9



**IN-WALL
WIRED W/RELAY
CONTROL OPTION**

SKU **UCH**
P9



**IN-WALL
WIRED W/BATTERY
BACK-UP OPTION**

SKU **UCHBB**
P9



**IN-WALL
WIRED SHORT CUP FOR
CONSTRAINED MOUNTING DEPTH**

SKU **UCHSC**
P9



**ON-WALL
WIRED CONE W/RELAY CONTROL
OPTION FOR COMPLEX SURFACES**

SKU **UCHC**
P10

HARDWARE ACCESSORIES

LOCK SLEEVES



SLEEVE FOR HD OPEN BOTTOM

SKU **CHDO**
P12



SLEEVE FOR HD CLOSED BOTTOM

SKU **CHDB**
P12

SHACKLE INSERTS



6.5MM SHACKLE INSERT

SKU **I6.5MM**
P13



8MM SHACKLE INSERT

SKU **I8MM**
P13

DOOR CONTROLLER TOOLS



**NOKĒ DOOR CONTROLLER
DISENGAGEMENT TOOL**

SKU **UCDT**
P16



**NOKĒ DOOR CONTROLLER
REMOVAL TOOL**

SKU **UCRT**
P16

MISCELLANEOUS



NOKĒ HD AND HD+ WRENCH

SKU **AW3**
P14



NOKĒ HD AND HD+ JUMPSTARTER

SKU **HJDS**
P15



NOKĒ FOB

SKU **NAKF**
P17

NOKĒ SMART-LOCKING HARDWARE
HARDWARE

NOKĒ HD AND HD+ SMART PADLOCKS

The HD and HD+ are enterprise-grade, keyless, heavy-duty smartlocks with an industrial strength body and shackle, and an intelligent core. They are tamper-resistant, work in harsh environmental conditions, and are available with a shrouded shackle for extra protection.



HD SMART PADLOCK
SKU: **NHDM**

Security Level: Rugged
Use: Industrial
Environments: Extreme

Shackle Features:
Removable
Heavy-duty
Variety of sizes




HD+ SMART PADLOCK WITH SHROUD
SKU: **NHDMPL**

Security Level: Rugged
Use: Industrial
Environments: Extreme

Shackle Features:
Removable
Heavy-duty
Variety of sizes

A Shroud provides added protection against:

-  Unauthorized Entry
-  Lock tampering with bolt cutters, hacksaw, etc.

SPECS

SHACKLE THICKNESS
6.35mm, 8mm, or 10mm

WEIGHT
HD: 555g / 19.5oz / 1.2lbs
HD+: 670g / 23.6oz / 1.5lbs

OPERATING TEMPERATURE
-4°F to 165°F / -20°C to 74°C

PLASTIC COVER
Can be added for extra layer of protection against heavy and continuous impact

SHACKLE MATERIAL
Boron-hardened steel

BATTERY LIFE
2+ years

BODY
Hardened steel with electroless nickel plating

COMPATIBILITY
iOS: iPhone 4S or newer
Android: Devices with BT 4.0, Android 4.4 or newer

STRENGTH TEST RATING
CEN grade 4

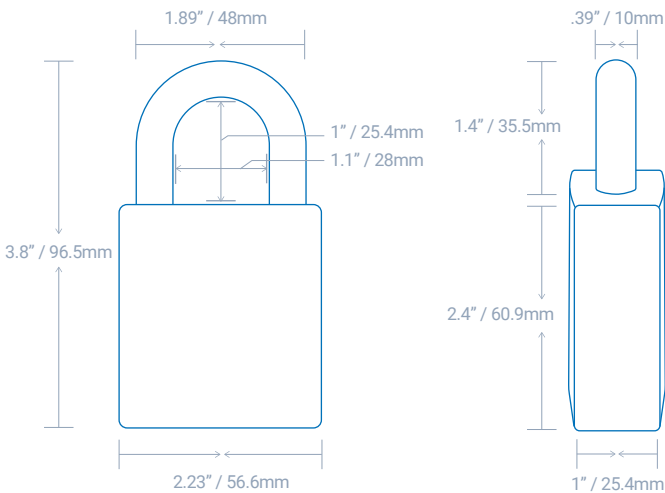
BATTERY TYPE
CR2

WEATHER RESISTANCE RATING
IP67

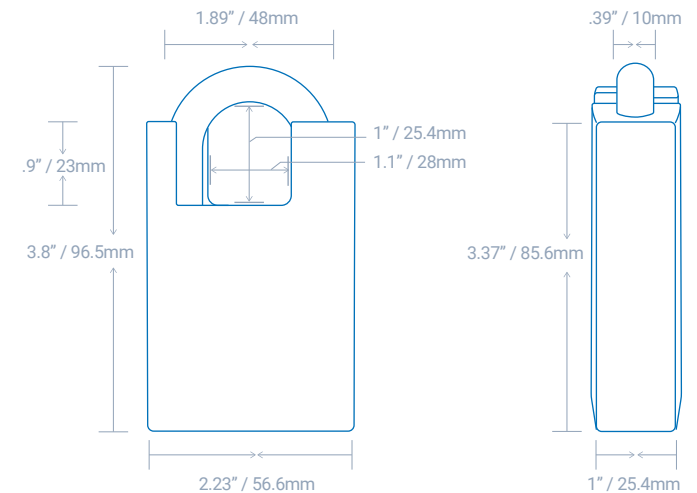
CERTIFICATIONS
CE FC RoHS REACH

DIMENSIONS

HD SMART PADLOCK



HD+ SMART PADLOCK



NOKĒ SMARTLOCK SHACKLES

With use in an infinite number of industries and applications, Nokē Smartlocks are designed with heavy-duty, removable shackles that come in a variety of sizes to help you decide what fit is best for your security needs.

SHACKLES ARE AVAILABLE IN TWO HEIGHTS:



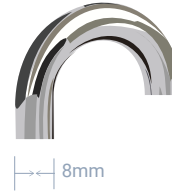
SHACKLES ARE AVAILABLE IN THREE THICKNESSES:



6.5
mm

6.5mm x 25mm
SKU: S6HD

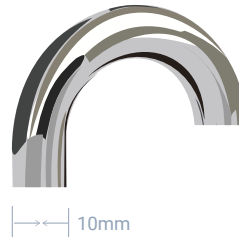
6.5mm x 50mm
SKU: L6HD



8
mm

8mm x 25mm
SKU: S8HD

8mm x 50mm
SKU: L8HD



10
mm

10mm x 25mm
SKU: S10HD

10mm x 50mm
SKU: L10HD

SPECS

B SHACKLE MATERIAL
Boron-hardened steel

STRENGTH
Heavy-duty, Industrial-grade

REMOVABLE
Available in a variety of sizes

***REQUIREMENTS**
May require a shackle insert

NOKĒ LOCK BLOCK

The Nokē Lock Block is an industrial-grade, heavy-duty, solid steel, interlocking case, used in conjunction with the HD Smart Padlock, to provide an extreme-security, tamper-resistant, keyless, locking system.



NOKĒ LOCK BLOCK

SKU: SDHHD

Security Level: Extreme
Use: Industrial
Environments: Extreme

Features:
 Tamper-resistant
 Heavy-duty
 Use on almost any door

SPECS



MATERIAL
 Solid Steel



WEIGHT
 1088.62g / 38.4oz / 2.4lbs
 (Without HD Smart Padlock)



INSTALLATION
 Welded or bolted to various materials



***REQUIREMENTS**
 Nokē HD Smart Padlock
 (Not included)

FUNCTION

The simple two part design allows for use on a range of both standard and double doors such as: trucks, shipping containers, trailers, man doors, gates, and beyond.



LOCKED POSITION

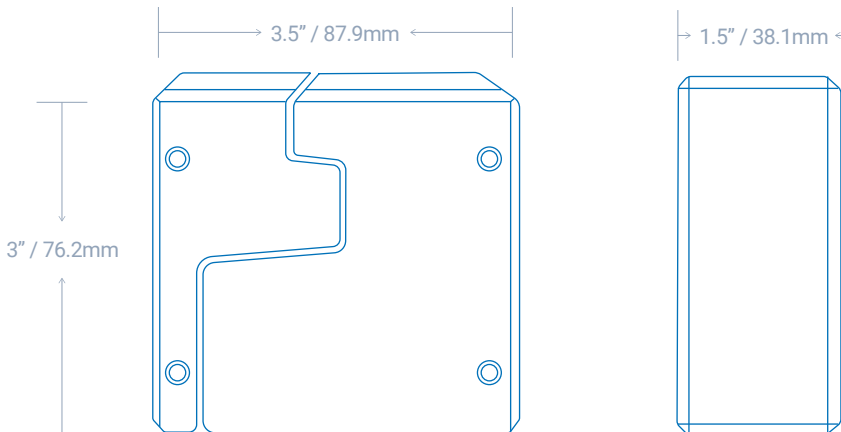
When the door is closed, the two side of the Lock Block come together to create a solid steal casing that encloses the HD Smart Padlock.



UNLOCKED POSITION

One side of the Lock Block attaches to the door. The other side attaches to the adjacent door frame or wall.

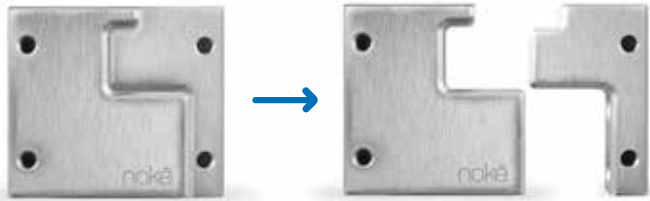
DIMENSIONS



FORM

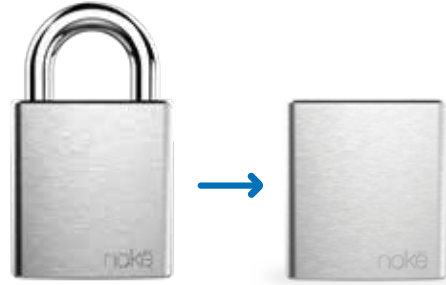
The Lock Block has a built in, interlocking shackle, that drops into the removeable HD Padlock lock body, creating impassable security

HERE'S HOW IT FITS TOGETHER:



1: OPEN THE LOCK BLOCK

Begin by separating the two sides of the Lock Block



2: REMOVE SHACKLE FROM HD

Follow steps to remove shackle from HD Padlock, lock body



3: INSERT HD BODY INTO LOCK BLOCK

With Lock Block open, align interlocking shackle and insert lock body



4: CLOSE LOCK BLOCK

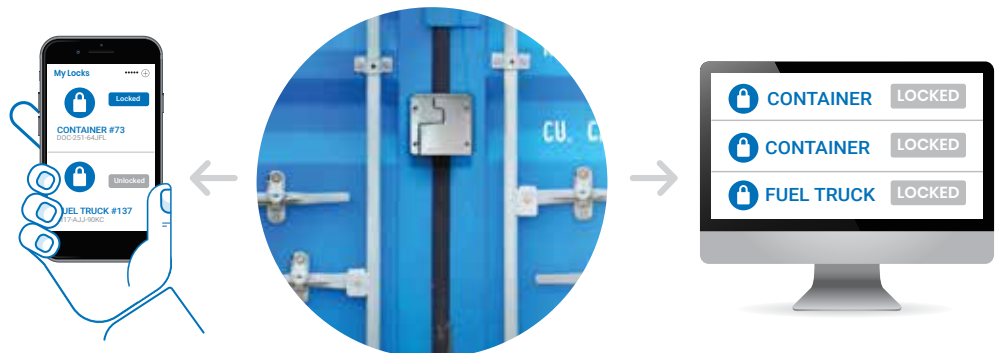
Close side of block to encase lock body

TECHNOLOGY

Lock Block users receive all the same intelligence of the Nokē Smart-locking Platform, encased in an industrial-strength, locking mechanism

THE BENEFITS INCLUDE:

- Desktop Portal
- Mobile App
- API Integration
- Cloud-Based
- Data Security



NOKĒ DOOR CONTROLLERS

With Nokē door controllers and the Nokē, keyless, smart-entry system, there are no more keys, key cards or combinations and the headache of traditional key management is eliminated. The sleek disk can be installed in just about any door type and to any surface, and digital key sharing, granting and revoking is done from your smartphone.

IN-WALL DOOR CONTROLLERS



IN-WALL
BATTERY POWERED
PROPRIETARY D-CELL

SKU: UCDB

Use: Remote locations or locations without existing wiring, such as: construction sites, storage facilities, old buildings, sheds, garages, elevators, etc.

Finish
Bead Blasted Zinc Alloy
Mounting
In-Wall flush mounted
Power
Proprietary D-Cell Battery



IN-WALL
WIRED W/RELAY
CONTROL OPTION

SKU: UCH

Use: Locations with existing wiring and locks, such as: office buildings, schools, retail locations, etc.

Finish
Bead Blasted Zinc Alloy
Mounting
In-Wall flush mounted
Power
Hard-wired



IN-WALL
WIRED W/BATTERY
BACK-UP OPTION

SKU: UCHBB

Use: Locations with existing wiring and locks, such as: loading docks, elevators, storage facilities etc. with the benefit of a back-up battery in the event that all power is lost

Finish
Bead Blasted Zinc Alloy
Mounting
In-Wall flush mounted
Power
Hard-wired with optional battery back-up



IN-WALL
WIRED SHORT CUP FOR
CONSTRAINED MOUNTING DEPTH

SKU: UCHSC

Use: Designed for installing where wall depth is limited and existing wiring is present such as: gates, parking garages, transit hubs, storage facilities etc.

Finish
Bead Blasted Zinc Alloy
Mounting
In-Wall flush mounted
Power
Hard-wired

IN-WALL: SPECS



OPERATING TEMPERATURE
-40°F to 176°F / 40°C to 80°C



CONTROL FROM YOUR PHONE



WATER RESISTANCE RATING
IP66



WORKS WITH ANY DRILLABLE SURFACE



COMPATIBILITY
iOS: iPhone 4S or newer
Android: Devices with BT 4.0,
Android 4.4 or newer



WORKS WITH ANY LOCK TYPE

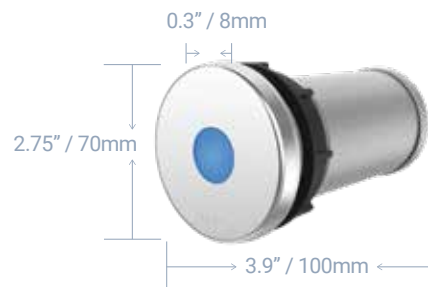
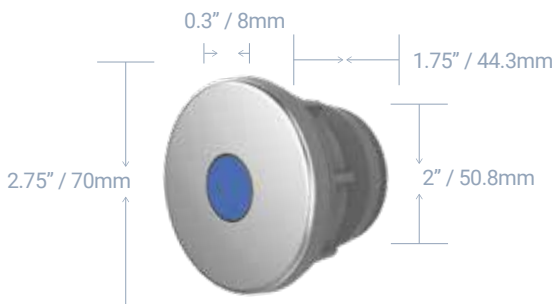


CERTIFICATIONS
CE FC



WORKS WITH ANY DOOR TYPE

DIMENSIONS



no key. no problem.

ON-WALL DOOR CONTROLLER



ON-WALL

WIRED CONE W/RELAY CONTROL
OPTION FOR COMPLEX SURFACES

SKU: UCHC

Use: Locations with stubborn surfaces and difficult masonry with existing wiring such as: gates, parking garages, transit hubs, storage facilities etc.

- Finish**
Bead Blasted Zinc Alloy
- Mounting**
On-Wall flush mounted
- Power**
Hard-wired

ON-WALL: SPECS



OPERATING TEMPERATURE
-40°F to 176°F / 40°C to 80°C



WATER RESISTANCE RATING
IP66



COMPATABILITY
iOS: iPhone 4S or newer
Android: Devices with BT 4.0, Android 4.4 or newer



CERTIFICATIONS
CE FC



CONTROL FROM YOUR PHONE



WORKS WITH ANY SURFACE



HARD-WIRED

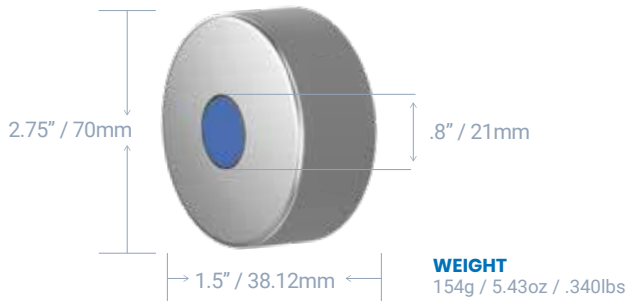


WORKS WITH ANY DOOR TYPE



SIMPLE INSTALLATION

DIMENSIONS



NOKĒ SMART-LOCKING HARDWARE
ACCESSORIES



NOKĒ LOCK SLEEVES FOR HD

Not only will your locks be protected from dirt, dust, grease, and extreme weather conditions, your locked items will be protected from scratches, dings and dents, and keep you HD operating like new.



SLEEVE FOR HD OPEN BOTTOM

SKU: CHDO

Protection level: Moderate

Benefits:

- Open bottom provides fast access to lock sensor
- Protects lock body from elements
- Protects surfaces from lock friction



SLEEVE FOR HD CLOSED BOTTOM

SKU: CHDB

Protection level: Maximum

Benefits:

- Closed bottom protects entire lock from elements
- Protects surfaces from lock friction

SPECS



MATERIAL
Rubberized
Plastic



WEIGHT
Open: 43g / 1.5oz / .095lbs
Closed: 54g / 1.9oz / .119lbs
(Without HD Smart Padlock)



INSTALLATION
Remove shackle and
place over lock



***REQUIREMENTS**
Nokē HD Smart Padlock
(Not included)



PROTECT YOUR HD LOCK FROM THE ELEMENTS

- Extreme Weather
- Dust
- Dirt
- Grease
- Sand
- Grime



PROTECT YOUR LOCKED ITEMS FROM LOCK FRICTION AND SCRATCHES:

- Trucks
- Trailers
- Cabinets
- Gates
- Machines
- Storage



NOKĒ SHACKLE INSERT

Nokē locks are designed with removeable shackles that come in a variety of sizes. This insert ensures that no matter what size shackle you chose, it will fit securely and maintain it's industrial strength locking power.



NOKĒ 6.5MM SHACKLE INSERT

SKU: 16.5MM

Use: When using a 6.5mm shackle with your HD, your lock will need this shackle insert to ensure that each shackle fits to provide maximum security.

Material
Heavy-duty plastic
For Use With:
6.5mm shackle



NOKĒ 8MM SHACKLE INSERT

SKU: 18MM

Use: When using an 8mm shackle with your HD, your lock will need this shackle insert to ensure that each shackle fits to provide maximum security.

Material
Heavy-duty plastic
For Use With:
8mm shackle

SPECS



MATERIAL
Plastic



***REQUIREMENTS**
Nokē HD Smart Padlock
and 6.5mm, 8mm shackles



INSTALLATION
Remove shackle and
place in shackle channel

FUNCTION

Release the shackle and remove it from the lock. Placse the shackle insert into the shackle channel and then secure your new shackle into the lock.



nokē

NOKĒ SMARTLOCK WRENCH

NOKĒ HD AND HD+ WRENCH

SKU: **AW3**

Use: This 3mm, ball-end tip wrench is required to open the body of a Nokē Smartlock.

Material

Steel

For Use With:

Nokē HD and HD+

SPECS



MATERIAL
Steel



***REQUIREMENTS**
Nokē HD, HD+ Smart Padlocks

FUNCTION

The wrench fits into the shackle channel to tighten and loosen the screw at the bottom. It is also used to push the bottom lock plate off. It's an essential tool needed to ensure the proper function of your lock.



no key. no problem.

nokē

NOKĒ HD JUMP STARTER

In the rare event that you lose lock power, a 9V battery will give your lock the power it needs to be unlocked.



NOKĒ HD AND HD+ JUMP STARTER

SKU: HDJS

Use: The Jump Starter tool secures the external 9V battery to the base of the lock to give your lock a jump-start. Once you're jumped, open the lock with the app or Quick-Click code.

Material

Heavy-duty plastic

For Use With:

Nokē HD and HD+

SPECS



MATERIAL
Plastic



***REQUIREMENTS**
Nokē HD, HD+ Smart Padlocks



BATTERY TYPE
9V

FUNCTION

Insert a 9V battery into the holding box. Slide the bottom of the lock into the charging groove so the charging port on the lock bottom makes contact with the charging ports on the tool. While the lock is engaged with the tool, unlock and change the battery.



no key. no problem.



NOKĒ DOOR CONTROLLER HARDWARE SUPPORT



NOKĒ DOOR CONTROLLER DISENGAGEMENT TOOL

SKU: UCDT

Use: The Disengagement tool is designed to disengage the proprietary tamper-proof mechanism within the device. Without this tool, the door controller cannot be disassembled.

Material

Plastic, metal

For Use With:

Nokē Door Controllers

FUNCTION



Place this tool on the exterior face plate of the Door Controller until you feel it align. The interior springs will compress and undo the latching mechanism so that the face plate can come off.



NOKĒ DOOR CONTROLLER REMOVAL TOOL

SKU: UCRT

Use: This tool is needed for the fast and easy removal of an installed Nokē Door Controller.

Material

Steel

For Use With:

Nokē Door Controllers

FUNCTION



Insert the prongs of the tool into the two holes in the face of the Control Unit. Once inserted, pull the tool back to remove the Control Unit from the surface.



NOKĒ FOB

Employees without smart devices? Don't want your crew to rely on personal phones for access? The Nokē Fob is a Bluetooth enabled, trackable key that allows users to unlock Nokē locks without the use of a smart phone or Quick-Click Code.

NOKĒ FOB
SKU: NAKF



SIMPLE TO OPERATE

Press down on the shackle, and squeeze fob while holding it near the lock.



CAN BE PRIMARY UNLOCKING METHOD

When a manager provides a user with an authorized fob, it can be used as a sole method of unlocking Nokē locks.



UNLIMITED FOBS

A manager can issue as many fobs needed to control a single lock



CONTROL UP TO 100 LOCKS

100 locks can be controlled by a single fob

SPECS

WEIGHT
9g / .32oz / 0.02lbs

OPERATING TEMPERATURE
-10°f to 150°f / -23°c to 65°c

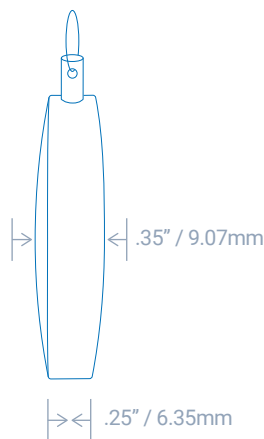
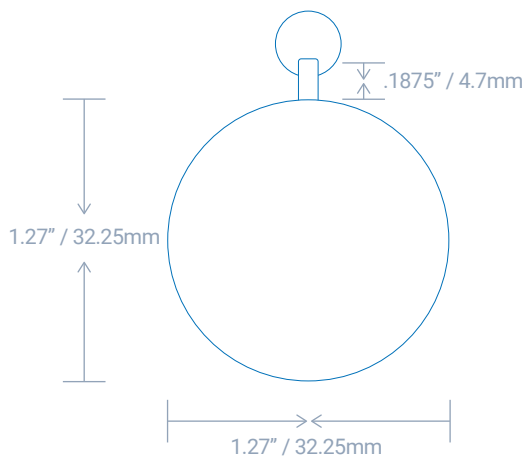
WEATHER RESISTANCE RATING
IP66

BATTERY LIFE
2+ years

BATTERY TYPE
2032 Coin Cell Battery

CERTIFICATIONS
CE FC RoHS

DIMENSIONS



no key. no problem.