



# NO ONE GETS PAST

THE BLOCK

## NOKĒ LOCK BLOCK

The Nokē Lock Block is a heavy-duty, steel casing used in conjunction with the HD Smart Padlock to provide an extreme-security, tamper-resistant, keyless locking system

### SPECS



**MATERIAL**  
Steel



**WEIGHT**  
1088.62g / 38.4oz / 2.4lbs  
(Without HD Smart Padlock)

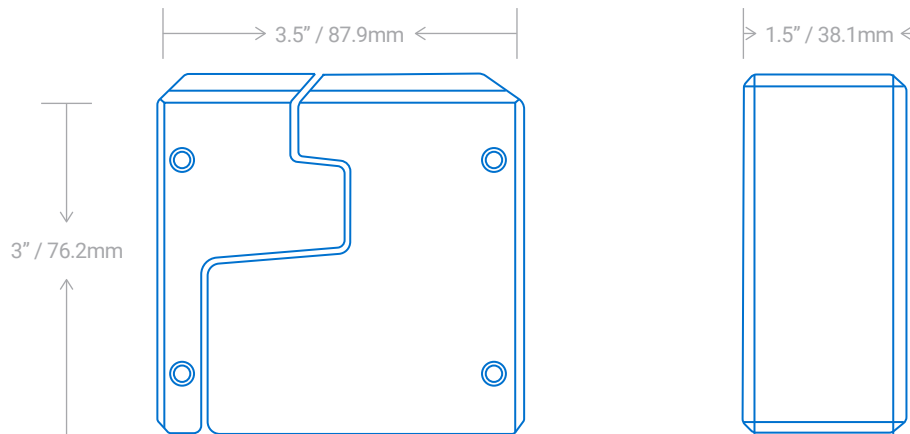


**INSTALLATION**  
Welded or bolted to various metals, wood etc.



**\*REQUIREMENTS**  
Nokē HD Smart Padlock (Not included)

### DIMENSIONS



### FUNCTION

**Divide and conquer:** The simple two part design allows for use on a range of both standard and double doors such as: trucks, shipping containers, trailers, man doors, gates, and beyond



#### UNLOCKED POSITION

One side of the Lock Block attaches to the door. The other side attaches to the adjacent door frame or wall.



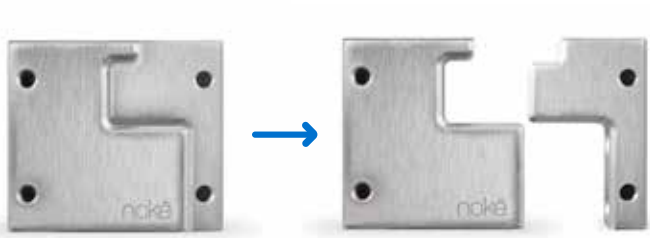
#### LOCKED POSITION

When the door is closed, the two side of the Lock Block come together to create a solid steel casing that encloses the HD Smart Padlock.

## FORM

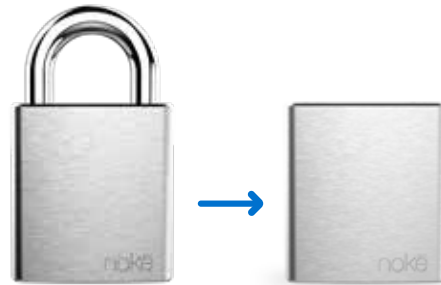
**Interlocking Innovation:** The Lock Block has a built in, interlocking shackle, that drops into the removeable HD Padlock lock body, creating impassable security

### HERE'S HOW IT FITS TOGETHER:



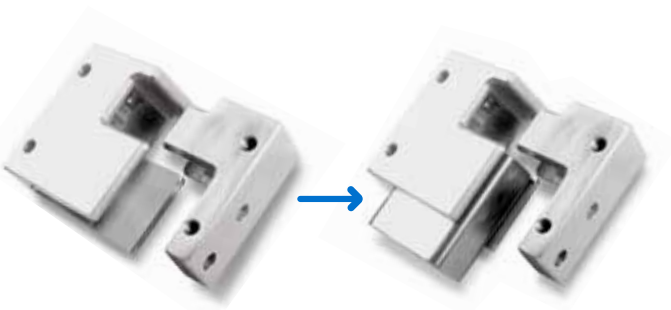
#### 1: OPEN THE LOCK BLOCK

Begin by separating the two sides of the Lock Block



#### 2: REMOVE SHACKLE FROM HD

Follow steps to remove shackle from HD Padlock, lock body



#### 3: INSERT HD INTO LOCK BLOCK

With Lock Block open, align interlocking shackle and insert lock body



#### 4: CLOSE LOCK BLOCK

Close side of block to encase lock body

## TECHNOLOGY

**The brains inside the box:** Lock Block users receive all the intelligence of the Nokē smart-platform and mobile app, encased in the most secure locking mechanism available.

### THE BENEFITS INCLUDE:

- Desktop Portal
- Mobile App
- API Integration
- Cloud-Based
- Data Security

