

self-storage 850

The **850 Series** from Janus International is wind load rated and ideal for light-duty use in carports, barns, sheds and self-storage/commercial unit mix. Our industry-leading 3rd Generation roll-up doors are manufactured to be durable and easy to install. The **850 Series** self-storage door is particularly well-suited for use in coastal areas or other locations prone to high wind speeds and is Miami Dade Certified.



Maximum
8' 8" x 12'

Available in sizes up to 8'8" x 12' and available in white only.



**Self-Storage/
Light-Duty**

Ideal for storage within carports, barns, sheds and self-storage/commercial unit mix.



**Wind Load
Rated**

Superior construction and innovative design make this door able to withstand heavy winds and extreme weather.



Features

- » **Pre-Lubricated Springs**
During production, springs are factory lubricated and enclosed in a tube to protect them from the environmental elements.
- » **Dead Axle & Barrel Assembly**
An enclosed spiral barrel houses the dead axle assembly and offers durability and smoother operation as weight is distributed throughout the barrel.
- » **Ratchet Tensioning Device**
Allows you to simultaneously fine tune springs due to the eight different positions on the tension wheel, which provides equal pull on the left and right sides to ensure balanced operation of the door.
- » **24-Gauge Corrugated Door Curtain**
Manufactured from full hard galvanized grade 80 steel and coated with super durable polyester paint.
- » **Metal Windlocks**
11-gauge provides strength and security. Windlocks do not come in contact with guides.

All **DRUMS** are fitted with a grease filled, shielded radial ball bearing to contribute to a smoother operation and reduce wear and friction.

Factory installed galvanized reinforced 12 gauge **BRACKETS** are designed to attach to the guides, reducing installation time.

Galvanized, guide-mounted **HEAD STOPS** are simple to install and prevent curtain over travel when raising the door. Installed through guide after curtain is lowered, they provide definite contact with the bottom bar angle and stop clips.

The **RATCHET SPRING TENSIONER ASSEMBLY** is factory installed on the end of the tuning of the initial spring tension. Increments of 1/8 turn are possible. Tensioner adjusts both springs equally at the same time from only one end of the door.

Roll formed clear acrylic coated galvanized steel **BOTTOM BAR** reinforced with a 2" x 1-1/2" 11-gauge full width galvanized angle that extends fully into the guides. The PVC bulb astragal provides positive contact with floor. Lift handle(s) and stop clips installed on exterior side of bottom bar and a non-rotting pull rope is attached to the inside angle. Stop clips are attached to each end of bottom bar angle's horizontal leg.

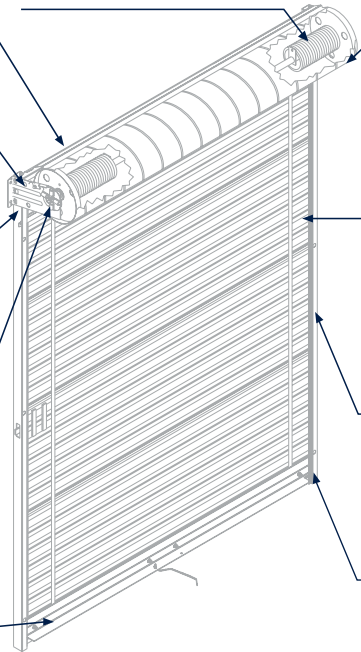
Oil-tempered helical torsion **SPRINGS** are factory lubricated to minimize friction and corrosion while increasing the spring cycle life. Spring wire conforms to ASTM A 229.

Full width galvanized steel **BARREL** totally encloses the drums, springs and axle. Barrel-type construction reduces door sag, eliminates drum dents and improves operation due to an even support of the curtain for the entire width.

Galvanized and pre-painted with long lasting Super Durable polyester paint, the 24-gauge **CORRUGATED CURTAIN** is roll formed from ASTM A 653 grade 80 full hard steel. This premium steel yields greater door strength and minimized curtain damage. Full height felt tape on back of curtain prevents nesting and reduces paint rubbing. The 850 Series is available in white only.

Roll formed, 18 or 16 gauge galvanized **GUIDES** are fitted with dual polyethylene wear strips to reduce friction and muffle door noises. All guide attachment to jamb is performed through the guides without the addition of clips welded to the back of the guide. This gives a neater appearance, increased strength and aids in tight installations.

Yellow zinc coated steel or optional stainless steel cover, slide and four attachment bolts are factory installed. The slide exhibits magnetic properties that can be used to activate a guide mounted security sensor. **LATCH** accepts all industry padlocks, including 7/16" diameter shanks. Provision for cylinder lock included.



SPECIFICATIONS

Head Room Requirements

Opening Height	Vertical Headroom	Horizontal Headroom
Thru 7'4"	15-1/2"	17"
Over 7'4" thru 8'8"	16"	17-1/2"
Over 8'8" thru 10'0"	17"	18-1/2"
Over 10'0" thru 12'0"	18"	19"

Side Room Requirements

To Outside of Bracket Leg (both ends)	To End of Axle (both ends)
4"	4"

HIGHLIGHTS:

B Barrel: 9-1/2"

G Guide: 2", 16-gauge

Visit JanusIntl.com for technical drawings, color options and more.

Windload Design

Independently tested in accordance with ASTM-E330, the Model 850 meets the requirements of Standard Building Code, International Building Code and Florida Building Code and is Miami Dade Certified. Available in sizes through 8'8" x 12'.

Opening Widths	Design Windload	
	Pos. PSF	Neg. PSF
Thru 3'0"	35.0	45.0
Over 3'0" thru 6'0"	19.9	24.4
Over 6'0" thru 8'8"	24.4	27.0
Over 8'8" thru 10'0"	19.4	22.7

Universal mount 2" deep, 16-gauge galvanized steel guides require no pre-installation modifications for wood, steel, concrete or masonry block applications.

HEADQUARTERS

Janus International Group
135 Janus International Blvd.
Temple, GA 30179

PLEASE VISIT OUR WEBSITE FOR ADDITIONAL INFORMATION:

- ADA Compliance
- Color Options
- Installation
- Technical Drawings
- Warranty
- Additional Locations

866.562.2580

marketing@janusintl.com

JanusIntl.com