

SLIDE BOLT LOCK ONE @ EACH JAMB

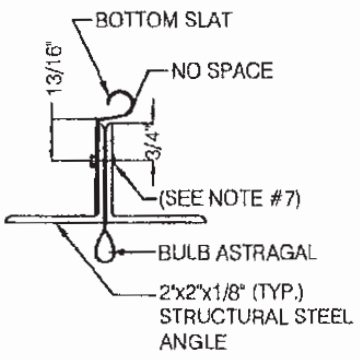
INTERIOR ELEVATION

SIDE ELEVATION

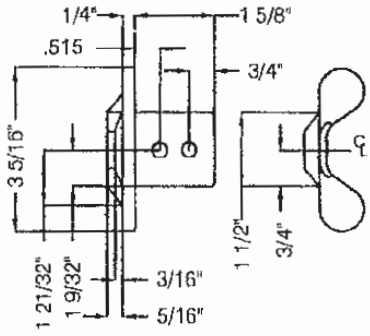
GUIDE DETAIL AND DIMENSIONS

SLIDE BOLT LOCK

22, 20 OR 18 GAUGE FRONT SLAT / 24 GAUGE BACK SLAT

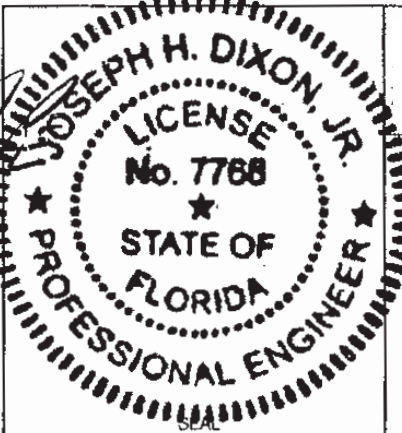


BOTTOM BAR



WINDLOCK

P. H. Dixon, Jr.
8/24/12



JANUS INTERNATIONAL GROUP
135 Janus International Blvd.
Temple, GA 30179
(770) 562-2850
www.janusintl.com

**600 SERIES INSULATED SLAT
CERTIFIED WINDLOAD AND IMPACT
RATED ROLLING STEEL SERVICE
DOOR**

| | | | |
|--|---|--|---|
| SCALE: VARIES (DO NOT SCALE DRAWINGS) | TEST SIZE 18'-6" W x 10' H | DESIGN PRESSURE +50.0/-45.0 PSF | TEST PRESSURE +75.0/-67.50 PSF |
| TOLERANCES FRACTION = +/- 1/32 .X = +/- .032 .XX = +/- .015 .XXX = +/- .005 < -/- .5 | MODELS 622IM-22 GAUGE 620IM-20 GAUGE 618IM-18 GAUGE | TEST LOCATION ELEMENT-ORLANDO 124 PREMIER ROAD ORLANDO, FL 32822 | TEST REPORT # ESP010181P TEST DATES: 7/16/12 - 7/18/12 |
| DRAWN BY: BCLLC ISSUE: 08-23-12 | DRAWING # 607-7-600IM | | SHEET 1 OF 2 |

Janus International Group is not responsible for the use of improper installation procedures, structural supports as well as field inspection prior to manufacturing and installation.