



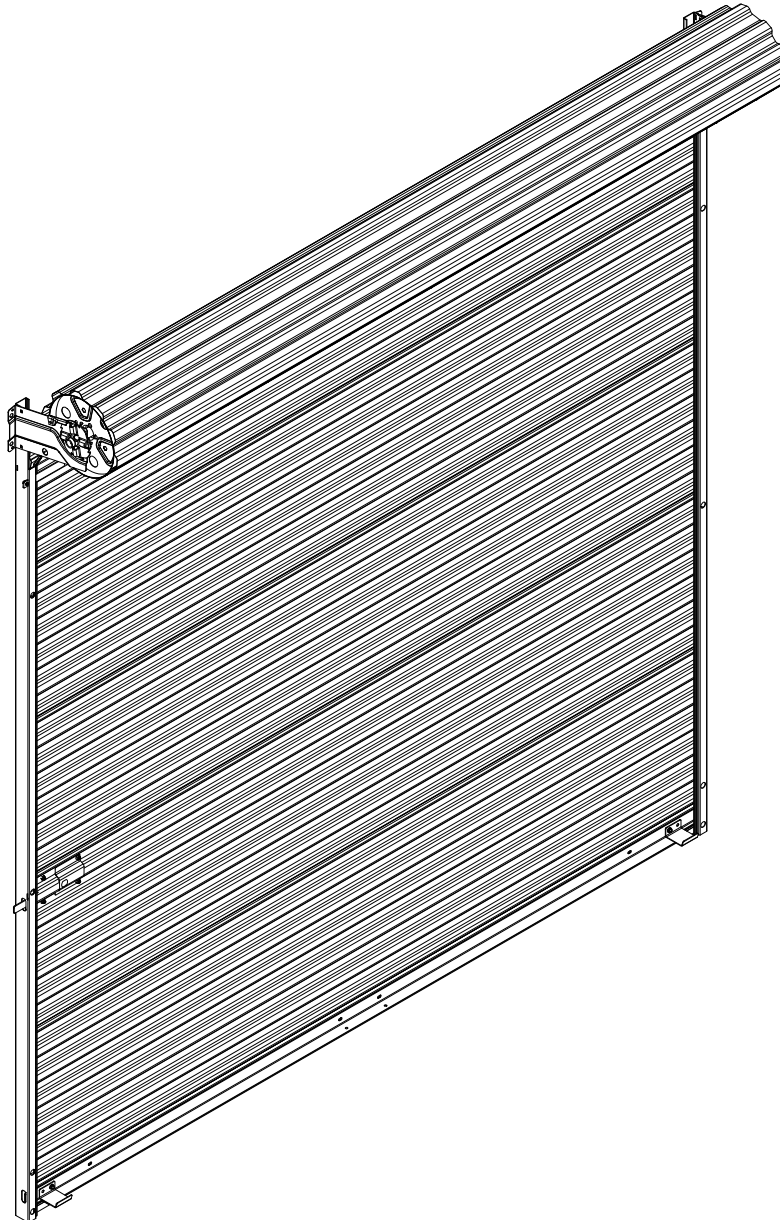
JANUS
INTERNATIONAL GROUP

JANUS INTERNATIONAL GROUP LLC
135 JANUS INTERNATIONAL BLVD.
TEMPLE, GA 30179
PHONE 770-562-2850 / FAX 770-562-1991
www.janusintl.com

750 INSTALLATION GUIDE

Rev. Date: 02/09/2024

810002-0001



IMPORTANT INFORMATION

JANUS INTERNATIONAL DOORS MUST BE INSTALLED BY TRAINED ROLLING DOOR TECHNICIANS QUALIFIED TO INSTALL PRODUCT SAFELY WITH PROPER KNOWLEDGE, TOOLS, SAFETY AND INSTALLATION EQUIPMENT. CAREFULLY READ INSTALLATION INSTRUCTIONS. FAMILIARIZE YOURSELF WITH ALL INSTALLATION PROCEDURES, WARNINGS, CAUTIONS, AND NOTES BEFORE ATTEMPTING TO INSTALL DOOR. JANUS INTERNATIONAL CORPORATION WILL NOT WARRANTY OR ACCEPT RESPONSIBILITY FOR DOORS NOT INSTALLED PER THESE INSTALLATION INSTRUCTIONS.

- IMPORTANT SAFETY INFORMATION -

- CAREFULLY READ INSTALLATION INSTRUCTIONS. FAMILIARIZE YOURSELF WITH ALL INSTALLATION PROCEDURES, WARNINGS, CAUTIONS, AND NOTES BEFORE ATTEMPTING TO INSTALL DOOR.
- INSPECT RECEIVED DOOR ASSEMBLY FOR VISIBLE DAMAGE AND/OR COMPONENT SHORTAGES.
 - a. SHIPPING DAMAGE: FILE DAMAGE CLAIM IMMEDIATELY WITH FREIGHT CARRIER. SUPPLY DOOR SUPPLIER WITH PHOTO DOCUMENTATION TO RECEIVE REPLACEMENT COMPONENTS.
 - b. PART SHORTAGE: IMMEDIATELY CONTACT DOOR SUPPLIER WITH PARTS SHORTAGE CLAIM. ORDER NUMBER, DOOR MODEL, PHOTO DOCUMENTATION ARE ENCOURAGED TO EXPEDITE PROCESS.
 - c. INCORRECT PARTS: IF RECEIVED DOOR COMPONENTS AND PARTS DO NOT MATCH THOSE REFERENCED IN THESE INSTALLATION INSTRUCTIONS, IMMEDIATELY CONTACT DOOR SUPPLIER.
- IF AT ANY TIME BEFORE OR DURING INSTALLATION YOU ARE UNFAMILIAR, UNCOMFORTABLE, OR CONFUSED BY INSTALLATION PROCEDURES OUTLINED IN THESE INSTALLATION INSTRUCTIONS DO NOT ATTEMPT TO INSTALL DOOR ASSEMBLY. IMMEDIATELY CONTACT DOOR SUPPLIER WITH QUESTIONS/CONCERNS.

JANUS INTERNATIONAL DOORS MUST BE INSTALLED BY TRAINED ROLLING DOOR TECHNICIANS QUALIFIED TO INSTALL PRODUCT SAFELY WITH PROPER KNOWLEDGE, TOOLS, SAFETY AND INSTALLATION EQUIPMENT.

- READ ALL WARNINGS BELOW -

- USE APPROPRIATE SAFETY EQUIPMENT TO AVOID SERIOUS INJURY.
- CLEAR FLOOR AT OPENING OF ALL DEBRIS BEFORE INSTALLING PRODUCT.
- USE APPROPRIATE LIFTING EQUIPMENT AND CORRECT LIFTING PROCEDURES TO AVOID DAMAGE, SERIOUS INJURY OR DEATH.
- MOVING DOOR COULD RESULT IN DEATH OR SERIOUS INJURY. DO NOT CLOSE DOOR UNTIL DOORWAY IS CLEAR.
- CONTROL THE SPEED OF THE DOOR DURING MANUAL OPERATION.
- DO NOT STAND OR WALK UNDER A MOVING DOOR.
- KEEP DOORWAY CLEAR AND IN FULL VIEW WHILE OPERATING DOOR.
- DO NOT PERMIT CHILDREN TO PLAY ON, NEAR, OR WITH DOOR, OR OPERATE DOOR CONTROLS.
- UNLOCK DOOR BEFORE OPENING DOOR.
- SENSING DEVICES ON MOTOR OPERATING DOORS SHOULD BE TESTED FREQUENTLY.
- VISUALLY INSPECT DOOR AND HARDWARE MONTHLY FOR WORN AND/OR BROKEN PARTS AND CHECK IF DOOR OPERATES FREELY. DO NOT OPERATE A DOOR WITH A BROKEN SPRING.
- COMPONENTS ARE UNDER EXTREME SPRING TENSION COULD RESULT IN DEATH OR SERIOUS INJURY.
- DOOR MUST BE FULLY OPENED WHEN MAKING ADJUSTMENTS.

► **Retain these instructions for reference.**

► **Operation & Maintenance Manual available via pdf download at www.janusintl.com or upon request.**

HANDLE WITH CARE - DO's & DON'T's

DO's

- CAREFULLY INSPECT ALL PRODUCT FOR DAMAGE UPON RECEIPT.
- USE PROTECTIVE FOAM BETWEEN PRODUCT AND ANY SURFACE OR OBJECT IT MAY COME INTO CONTACT WITH WHILE IN TRANSIT AND/OR STORAGE.
- WHEN SECURING PRODUCT FOR TRANSIT, USE FOAM BARRIER BETWEEN PRODUCT AND STRAPS, ROPES, ETC.
- CAREFULLY UNLOAD PRODUCT FROM ANY TYPE OF CRATING MATERIAL ASSURING NO CONTACT WITH FASTENERS OR SHARP EDGES.
- CLEAR FLOOR AT OPENING OF ALL DEBRIS BEFORE INSTALLING PRODUCT.
- SINGLE PERSON LIFTING OF PRODUCT COULD CAUSE INJURY. USE ASSISTANCE WHEN MOVING OR LIFTING.
- INSTALL PRODUCT WITH APPROPRIATE LIFTING EQUIPMENT ASSURING A PROTECTIVE BARRIER IS MAINTAINED BETWEEN PRODUCT AND ANY SURFACE OR OBJECT IT MAY COME INTO

DON'T's

- DO NOT - STAND ON PRODUCT.
- DO NOT - CLIMB ON PRODUCT.
- DO NOT - WALK ON PRODUCT.
- DO NOT - DROP PRODUCT.
- DO NOT - SLIDE PRODUCT ACROSS ANY SURFACE.
- DO NOT - THROW OR TOSS PRODUCT.
- DO NOT - SET OR STACK PRODUCT ON GRAVEL, DEBRIS, OR UNEVEN SURFACES.
- DO NOT - ALLOW SHARP OBJECTS TO COME IN CONTACT WITH PRODUCT.
- DO NOT - LEAVE PRODUCT UNSECURED WHILE IN TRANSIT OR DURING INSTALLATION.

FAILURE TO ADHERE TO THE ABOVE CONDITIONS WILL RESULT IN PERSONAL INJURY OR PRODUCT DAMAGE NOT COVERED UNDER JANUS INTERNATIONAL PRODUCT WARRANTY. ALWAYS HANDLE PRODUCT WITH CARE, AND REVIEW ALL INSTRUCTIONS, WARNINGS, AND NOTES BEFORE INSTALLING PRODUCT.

REVIEW DOOR ASSEMBLY AND GENERAL PARTS DESCRIPTIONS BILL OF MATERIAL FROM PAGE 4, FIGURE 1 TO FAMILIARIZE YOURSELF WITH COMMON PARTS OF ROLLING SHEET DOOR ASSEMBLY.

DOOR ASSEMBLIES ARE MANUFACTURED PER OPENING WIDTHS AND HEIGHTS SPECIFIED AT TIME OF ORDER. JANUS INTERNATIONAL WILL NOT BE HELD RESPONSIBLE FOR OPENING WIDTHS OR HEIGHTS THAT DO NOT MATCH THOSE SPECIFIED AT TIME OF ORDER.

DOOR ASSEMBLY & GENERAL PART DESCRIPTIONS

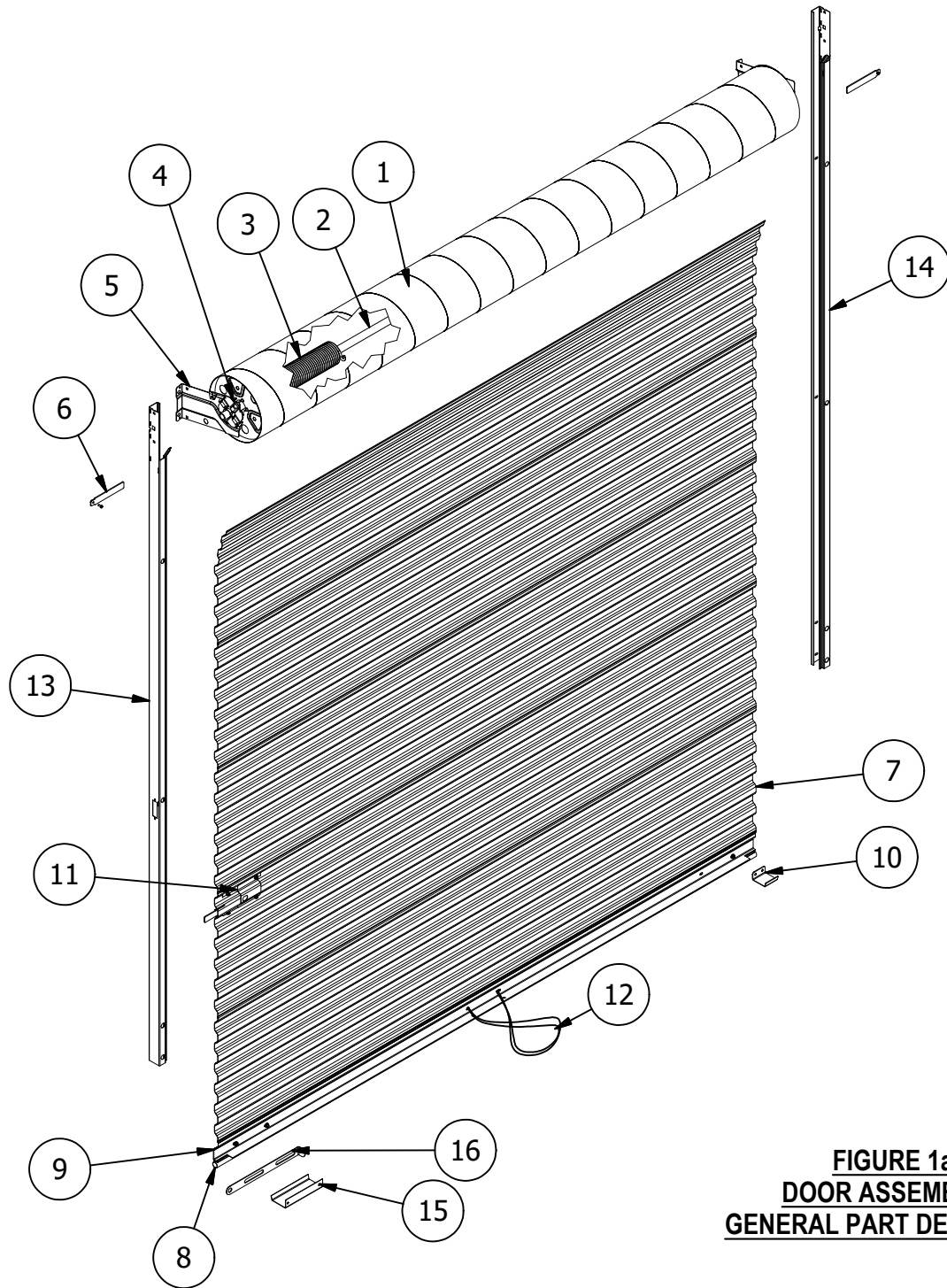


FIGURE 1a:
DOOR ASSEMBLY &
GENERAL PART DESCRIPTION

Operation & Maintenance Manual available via pdf download @ www.janusintl.com or upon request

GENERAL BILL OF MATERIALS

ITEM	DESCRIPTION / PART NUMBER	ITEM	DESCRIPTION / PART NUMBER	ITEM	DESCRIPTION / PART NUMBER
1	9 1/2" Spiral Barrel	7	26 Ga. Corrugated Curtain	13	LH 18 Ga Guide
2	1" O.D. Axle	8	Astragal	14	RH 18 Ga Guide
3	Spring/Counterbalance	9	Bottom Bar Assembly	15	Comm. Step Plate (Optional)
4	Ratchet Spring Tensioner	10	Mini Clip	16	Comm. Slide Lock (Optional)
5	Mini Bracket	11	Mini Latch	17	-
6	Headstop	12	Rope	18	-

DOOR ASSEMBLY & GENERAL PART DESCRIPTIONS

WINDLOCK VERSION

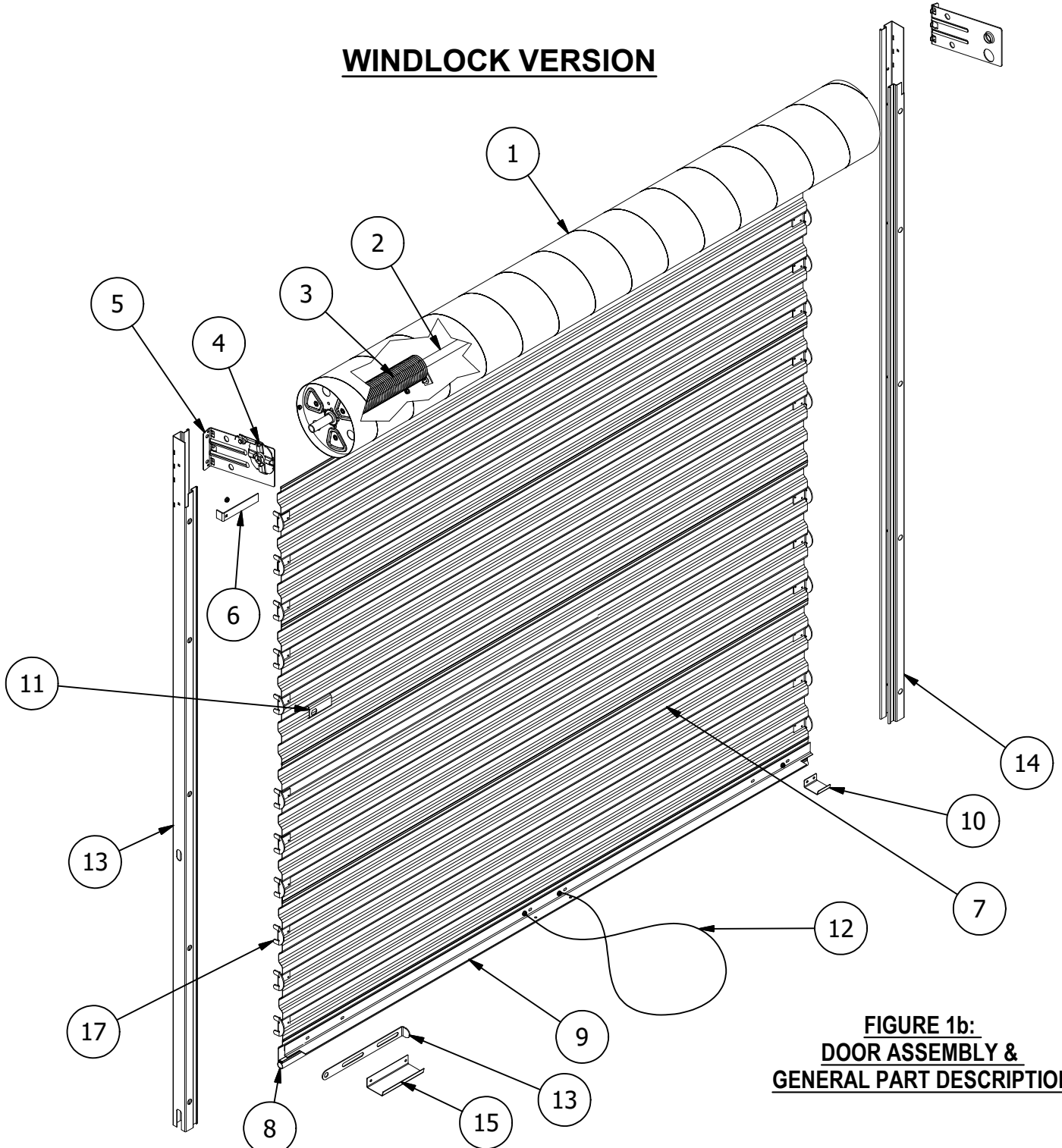


FIGURE 1b:
DOOR ASSEMBLY &
GENERAL PART DESCRIPTION

Operation & Maintenance Manual available via pdf download @ www.janusintl.com or upon request

GENERAL BILL OF MATERIALS

ITEM	DESCRIPTION / PART NUMBER	ITEM	DESCRIPTION / PART NUMBER	ITEM	DESCRIPTION / PART NUMBER
1	9 1/2" Spiral Barrel	7	26 Ga. Corrugated Curtain	13	LH 16Ga Guide
2	1" O.D. Axle	8	Astragal	14	RH 16Ga Guide
3	Spring/Counterbalance	9	Bottom Bar Assembly	15	Comm. Step Plate (Optional)
4	Ratchet Spring Tensioner	10	Mini Clip	16	Comm. Slide Lock (Optional)
5	Mini Bracket	11	Mini Latch	17	Wind Clips
6	Windlock Headstop	12	Rope	18	-

HEADROOM/SIDEROOM DIMENSIONAL REFERENCES

FIGURE 3: HEADROOM REQUIREMENT

HEADROOM REQUIREMENT		
OPENING HEIGHT	VERTICAL HEADROOM	HORIZONTAL HEADROOM
THRU 7'-4"	15 ½"	17"
OVER 7'-4" THRU 8'-8"	16"	17 ½"
OVER 8'-8" THRU 10'-0"	17"	18 ½"

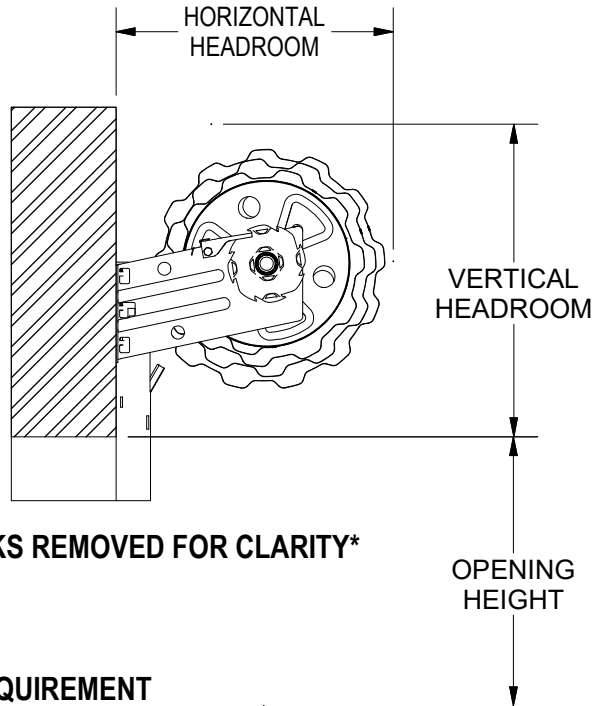
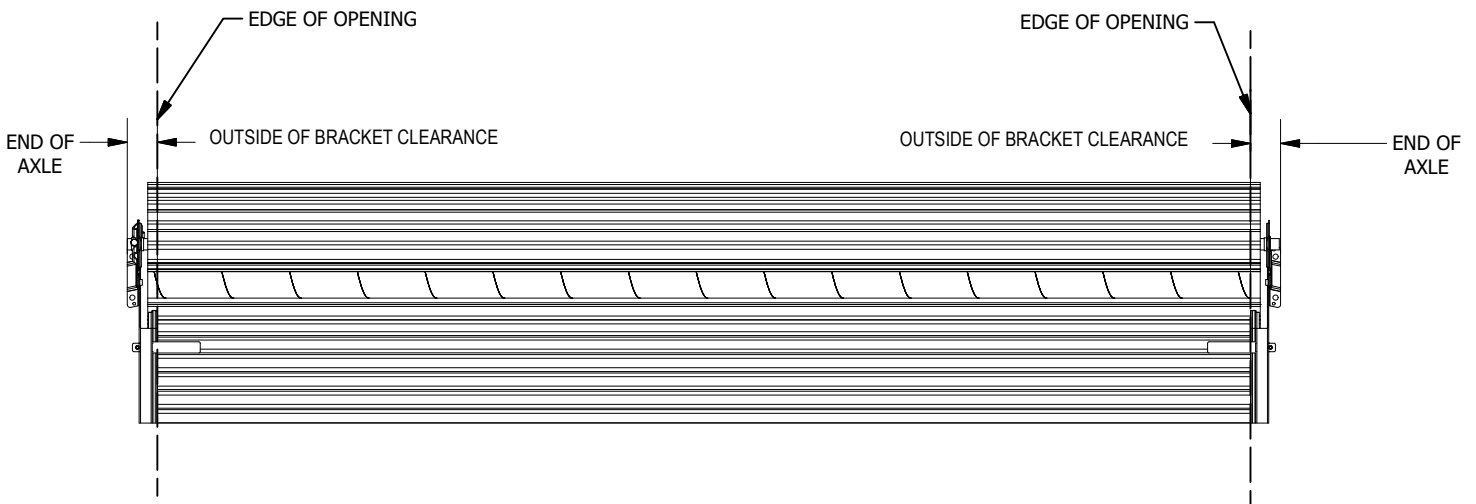


FIGURE 4: SIDEROOM REQUIREMENT

SIDEROOM CLEARANCE REQUIREMENT			
SIDEROOM CLEARANCE -MANUAL/PANTHEON			
WINDLOCKS	GUIDE	OUTSIDE OF EACH BRACKET LEG	END OF AXLE - DRIVE SIDE
NONE	2 ¼"	3 ⅜"	3 ¼"
YES	2 ⅞"	4 ⅛"	4"
ATA EZ ROLLER			
WINDLOCKS	GUIDE	OUTSIDE OF BRACKET - DRIVE SIDE	
NONE	2 ¼"	6 1/2"	
YES	2 ⅞"	6 1/2"	
IMPORTANT NOTES • DIMENSIONS ARE REFERENCED FROM THE EDGE OF THE OPENING • FOR CRITICAL FITS DUE TO REDUCED AVAILABLE HEADROOM OR SIDEROOM CLEARANCES, CONSULT FACTORY			



STEP 1: WALL OPENING

- ▶ Check wall opening width and height and verify these measurements against size of door to be installed.
- ▶ Verify that jambs are plumb.
- ▶ Check floor and header for level.
- ▶ Check for adequate side clearance at jambs and clearance above and at sides of header. Check vertical and horizontal head room requirements. *See Figure 2 and 3* for minimum requirements.
- ▶ Verify that guide mounting surface on jamb is flush.
- ▶ Make sure all parts required for installation are with the door.

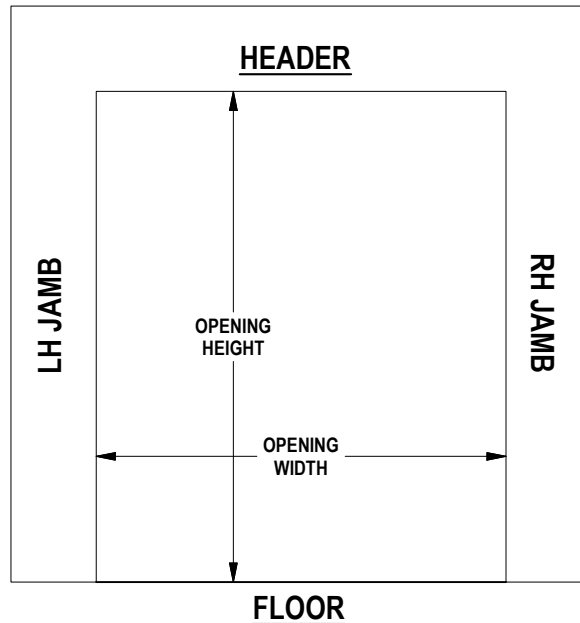


FIGURE 4:
WALL OPENING

STEP 2: POSITION DOOR & PARTS

- ▶ Verify floor area is clean in order to prevent damage to curtain.
- ▶ Inside the building place, left guide on floor perpendicular to opening with guide bottom close to left jamb and the top toward inside of building. Repeat step to the right side.
- ▶ Place door on floor at top of and between guides. Rotate door as necessary to locate bottom bar against floor. *See figure 5.*
- ▶ Distribute hardware parts to appropriate areas.

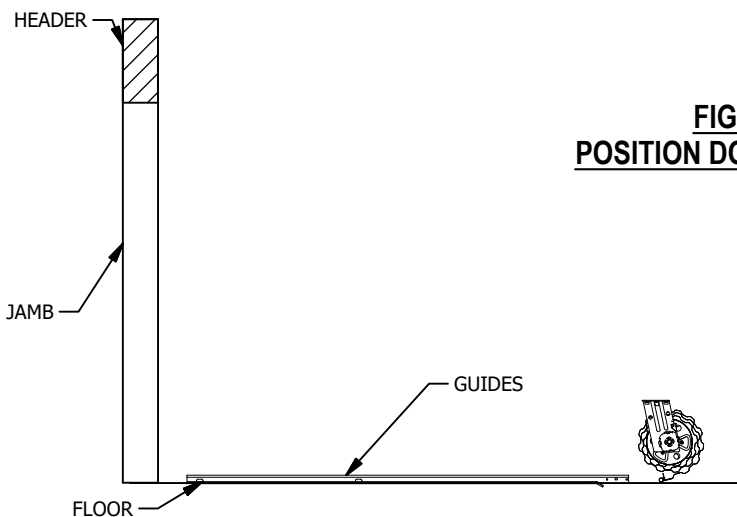
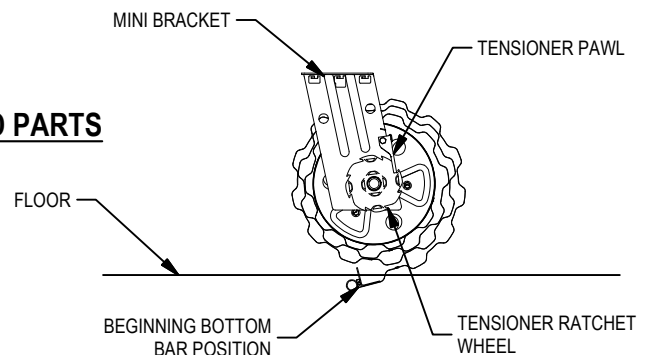


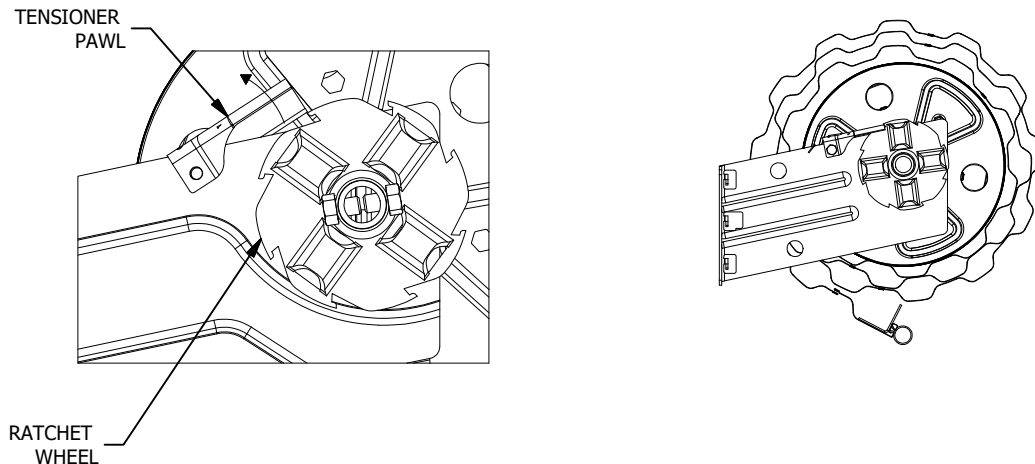
FIGURE 5:
POSITION DOOR AND PARTS



STEP 3: GUIDES TO BRACKET INSTALLATION

- ▶ At tensioner end of door, lift flange on tensioner pawl until end of the pawl clears the tensioner ratchet wheel. Rotate bracket in order to position short leg end upwards. Release flange on pawl and allow end to engage with the nearest tooth on the ratchet wheel.

FIGURE 6: MINI BRACKET POSITIONING

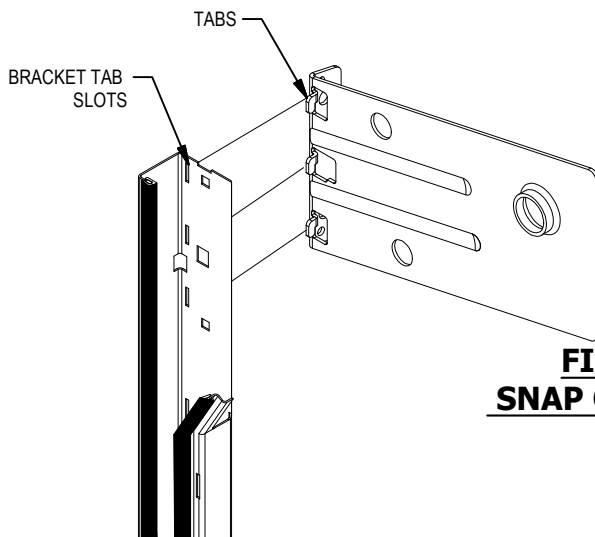


BRACKET INSTALLATION

- ▶ Bring top end of guide in alignment with bracket and insert tabs on bracket into tab slots in guide. (Figure 7)
- ▶ Slide bracket and guide together until locking tab in guide fully engages notch in bracket.
- ▶ If locking tab does not fully engage with bracket notch, use hammer and punch to bend tab into bracket notch.
- ▶ Repeat above steps for non tensioner bracket guide. The bracket will require being held in position.

NOTE:

- ▶ FOR PANTHEON JSS INSTALLATION GUIDE, SEE PAGE 17.
- ▶ FOR ATA OPERATOR INSTALLATION GUIDE, SEE PAGE 18.



**FIGURE 7:
SNAP ON BRACKET**

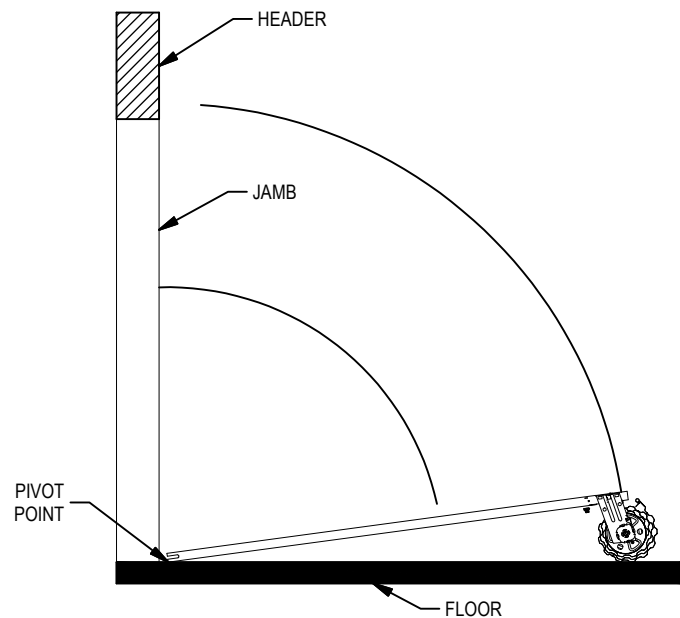
WARNING!

LOCKING TAB IN GUIDE MUST FULLY ENGAGE WITH NOTCH IN BRACKET. FAILURE TO DO SO MAY ALLOW THE DOOR TO FALL DURING INSTALLATION, WHICH CAN CAUSE SERIOUS INJURY OR DEATH AND/OR DAMAGE TO DOOR.

STEP 4: LIFTING DOOR ASSEMBLY

- ▶ Move door and guide assemblies toward wall opening with bottom of guide resting next to jambs.
- ▶ Lift door assembly evenly by pivoting around bottom of guides.
(See Figure 8)

FIGURE 8: LIFTING DOOR ASSEMBLY



NOTE:

- ▶ DOORS OVER 8'-0" HIGH WILL REQUIRE A MECHANICAL LIFTING DEVICE TO LIFT DOOR & GUIDES INTO MOUNTING POSITION.
- ▶ ANY MECHANICAL LIFTING DEVICE SUCH AS FORKLIFTS OR GENIE LIFTS, MUST BE PADDED TO PREVENT CURTAIN DAMAGE.

WARNING!

TWO INSTALLERS ARE REQUIRED TO LIFT DOOR ASSEMBLY INTO POSITION AGAINST JAMBS. THE GUIDES ARE NOT DESIGNED TO SUPPORT THE DOOR WEIGHT DURING A ONE MAN INSTALLATION. ATTEMPTING INSTALLATION WITH ONLY ONE INSTALLER CAN RESULT IN SERIOUS INJURY AND/OR DAMAGE TO DOOR. DO NOT LEAVE DOOR UNATTENDED UNTIL IT IS SECURELY ATTACHED TO JAMBS.

NOTE:

FOR OPENING HEIGHTS OVER 8'-8", CLAMP BOTTOM OF BRACKETS TO GUIDES WITH LOCKING PLIERS IN ORDER TO ENSURE RIGIDITY OF TOP OF GUIDE WHILE LIFTING. REMOVE PLIERS AFTER SECURING BRACKETS TO JAMBS.

STEP 5: GUIDES & BRACKETS TO JAMB

- ▶ Attach brackets and guides to jambs using fasteners shown in *Table 1 on page 10*.
- ▶ The guides should be mounted centered about the opening and spaced curtain width + $\frac{9}{16}$ " apart for non-Windlock doors and curtain width + $2\frac{1}{2}$ " for Windlock doors. This spacing is measured from back of guide to back of guide. Both guides must be plumb. *See page 10*.
- ▶ The appropriate fastener must be installed at each hole location in brackets and guides. *See figure 9*.

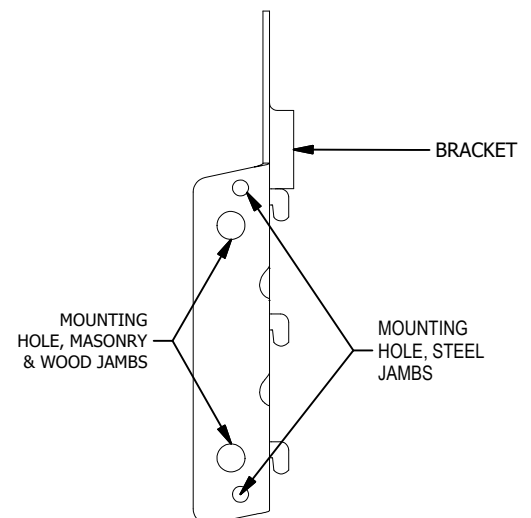


FIGURE 9: FASTENER PLACEMENT

WARNING!

DOOR CAN FALL IF BOTH BRACKETS ARE NOT SECURELY FASTENED TO THE JAMBS. ALL FASTENERS ATTACHING BRACKETS TO JAMBS MUST FIT SECURELY INTO A STRUCTURAL MEMBER OR SURFACE. IF DOOR FALLS, SERIOUS INJURY OR DEATH AND/OR DAMAGE TO DOOR CAN RESULT.

STEP 5: GUIDES & BRACKETS TO JAMB (CONTINUED)

Table 1: Wall Fasteners- for jamb attachment of Brackets and Guides		
ITEM	JAMB	FASTENERS
Brackets	Steel	$\frac{1}{4}$ " - 14 x 1" TEKS Screw
Brackets	Concrete/Filled CMU	$\frac{3}{8}$ " x 1 $\frac{3}{4}$ " Powers Wedge-Bolt
Brackets	Wood	$\frac{1}{4}$ x 2" Lag Screw
Guides w/o Windlocks	Steel	$\frac{1}{4}$ " - 14 x 1" TEKS Screw
Guides w/o Windlocks	Concrete/Filled CMU	$\frac{1}{4}$ " x 1 $\frac{3}{4}$ " Dewalt Screw Bolt
Guides w/o Windlocks	Wood	$\frac{1}{4}$ x 2" Lag Screw

WARNING!
 DOOR CAN FALL IF BOTH BRACKETS ARE NOT SECURELY FASTENED TO THE JAMBS. ALL FASTENERS ATTACHING BRACKETS TO JAMBS MUST FIT SECURELY INTO A STRUCTURAL MEMBER OR SURFACE. IF DOORS FALLS, SERIOUS INJURY OR DEATH AND/OR DAMAGE TO DOOR CAN RESULT.

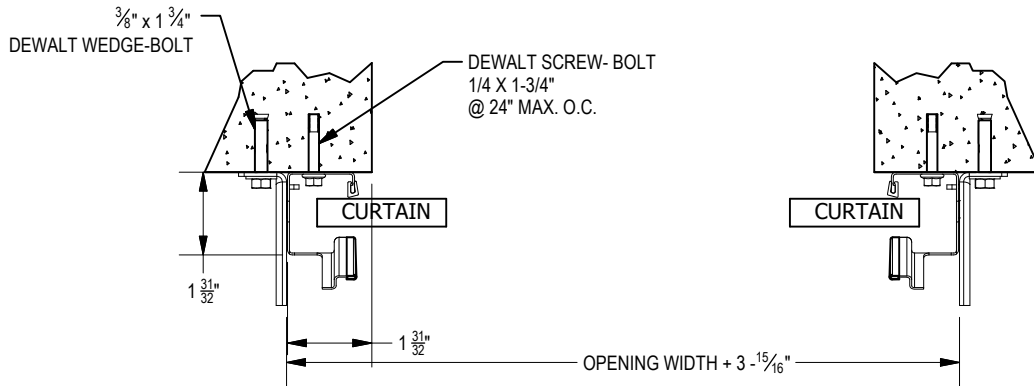


FIGURE 10:
CONCRETE/FILLED CMU W/O WINDLOCKS

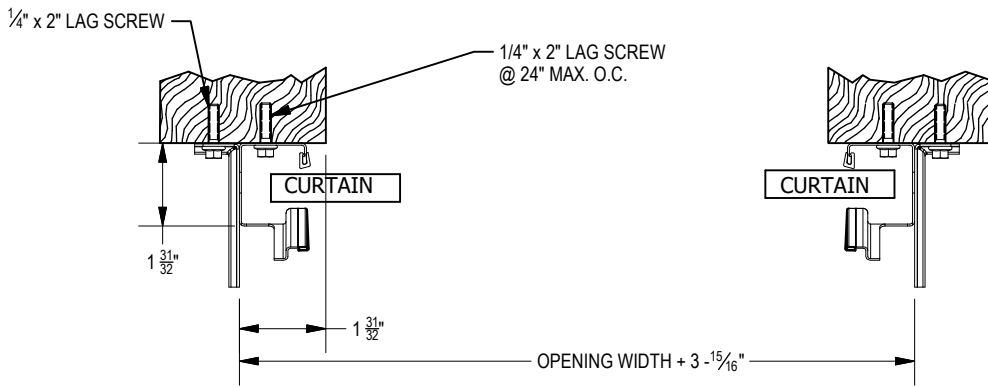


FIGURE 11:
WOOD JAMBS W/O WINDLOCKS

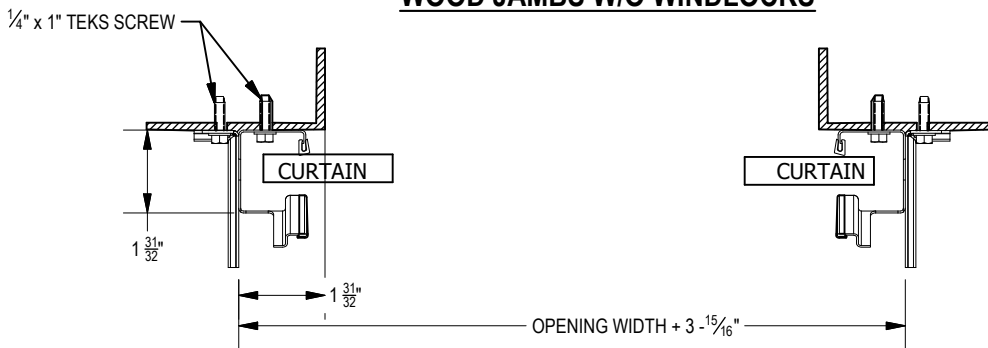
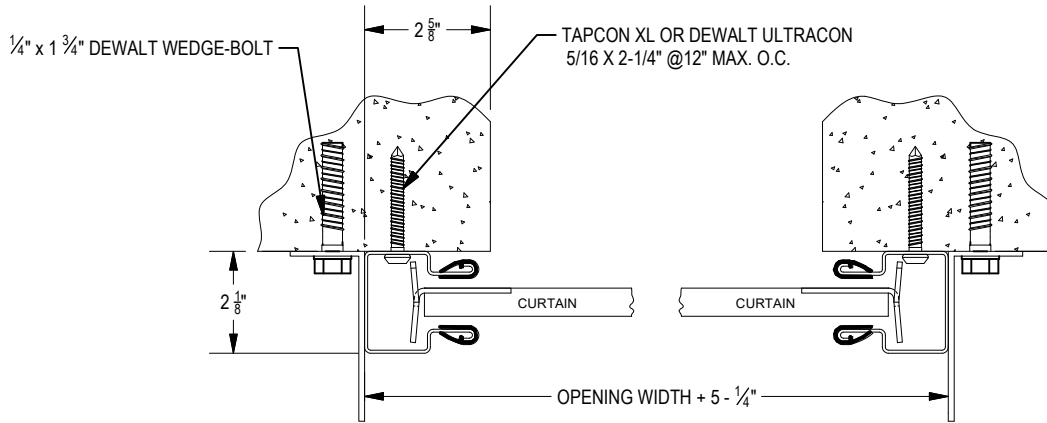


FIGURE 12:
STEEL JAMBS W/O WINDLOCKS

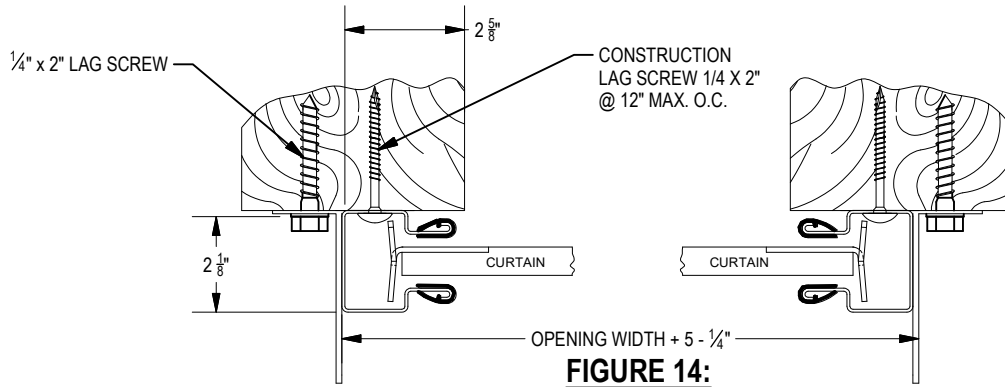
NOTE:
 WELDING OF GUIDES TO THE JAMBS IS NOT RECOMMENDED.

STEP 5: GUIDES & BRACKETS TO JAMB (CONTINUED)

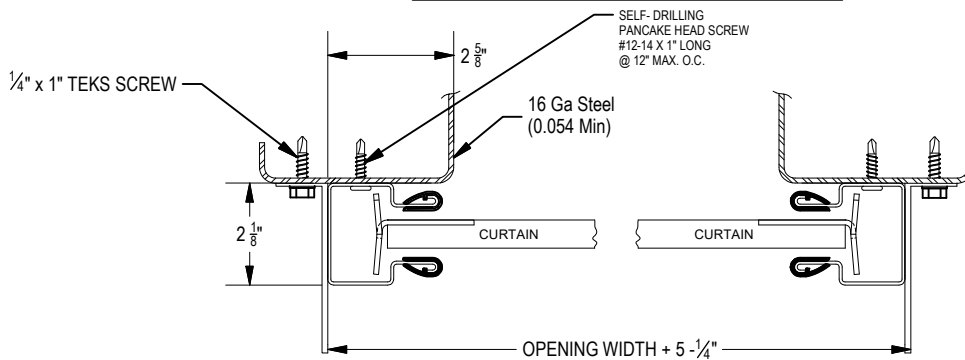
Table 1: Wall Fasteners- for jamb attachment of Brackets and Guides		
ITEM	JAMB	FASTENERS
Brackets	Steel	$\frac{1}{4}$ - 14 x 1" TEKS Screw
Brackets	Concrete/Filled CMU	$\frac{1}{4}$ " x 1 $\frac{3}{4}$ " Powers Wedge-Bolt
Brackets	Wood	$\frac{1}{4}$ X 2" Lag Screw
Guides w/ Windlocks	Wood	$\frac{1}{4}$ x 2" Construction Lag Screw
Guides w/ Windlocks	Steel	#12-14 x 1" PSD Pancake Head TEKS Screw
Guides w/ Windlocks	Concret/Filled CMU	$\frac{5}{16}$ " 2 $\frac{1}{4}$ " Tapcon XL (TORX T-40 drive)



**FIGURE 13:
CONCRETE/FILLED CMU WITH WINDLOCKS**



**FIGURE 14:
WOOD JAMBS WITH WINDLOCKS**



**FIGURE 15:
STEEL JAMBS WITH WINDLOCKS**

NOTE:
WELDING OF GUIDES TO THE JAMBS IS NOT RECOMMENDED.

STEP 6: SETTING INITIAL SPRING TENSION

- ▶ Before applying initial spring tension, ensure tensioner pawl is fully engaged with tensioner ratchet wheel tooth. *See Figure 16* below for visual reference.
- ▶ Rotate door two (2) revolutions in the direction that would send the bottom bar down through the guides.
- ▶ While firmly holding the door at the bottom bar, cut the tape and plastic wrap that holds the door in a coil. Direct the bottom bar down into the guides, stopping just past the head stop area and hold securely through completion of *Step 7*.

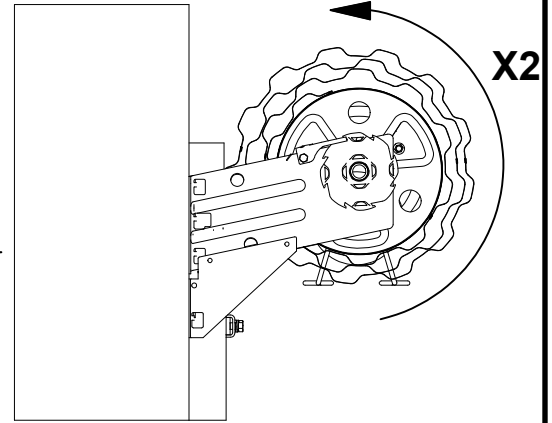
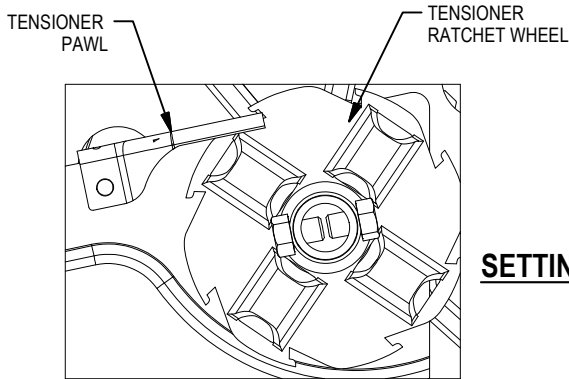


FIGURE 16:
SETTING INITIAL SPRING TENSION

WARNING!

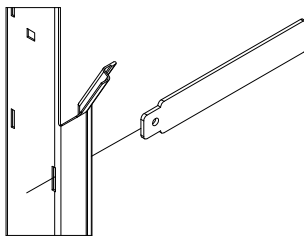
EXTREME SPRING TENSION CAN CAUSE SERIOUS INJURY OR DEATH. INSTALLATION, REPAIRS, AND ADJUSTMENTS MUST BE MADE BY A TRAINED ROLLING SERVICE DOOR SYSTEM TECHNICIAN USING PROPER TOOLS AND INSTRUCTIONS.
DOOR MUST BE FULLY OPENED WHEN MAKING ADJUSTMENTS.

WARNING!

ENSURE TENSIONER PAWL IS FULLY ENGAGED WITH TENSIONER RACHET WHEEL TOOTH.

STEP 7: HEADSTOPS

- ▶ For doors **without Windlocks**, slide headstop from inside of each guide. secure each headstop to guide with $\frac{1}{4}$ - 20 x $\frac{1}{2}$ " Self taper. *See figure 17*.
- ▶ For doors **with Windlocks**, secure each head stop to guide with $\frac{1}{4}$ - 20 serrated flange nut, install carriage bolt from inside guide. *See figure 17*.



WITHOUT WINDLOCKS

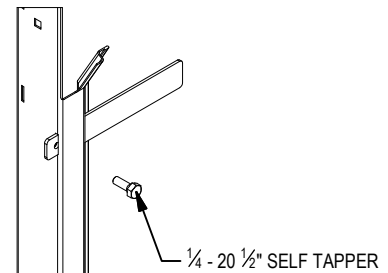
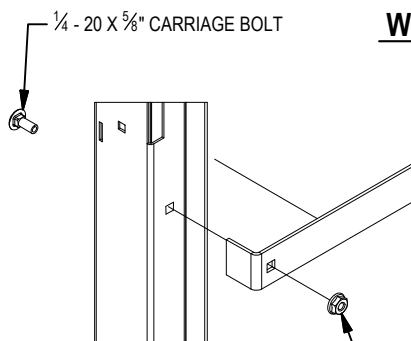
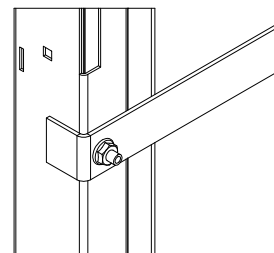


FIGURE 17:
WINDLOCK & NON WINDLOCK
HEADSTOPS



WITH WINDLOCKS



$\frac{1}{4}$ - 20" SERRATED FLANGE NUT

STEP 8: MINI STOP CLIPS, HANDLE(S), AND PULL ROPE

- ▶ Install mini stop clip at each end on inside of bottom bar using single $\frac{1}{4}$ - 20 x $\frac{5}{8}$ " carriage bolt and nut.
- ▶ Install handle(s) on outside of bottom bar using $\frac{1}{4}$ - 20 x $\frac{5}{8}$ " carriage bolts and nuts. *See figure 18.*
- ▶ Install rope in one of the holes at the center of the horizontal leg of the bottom bar angle.

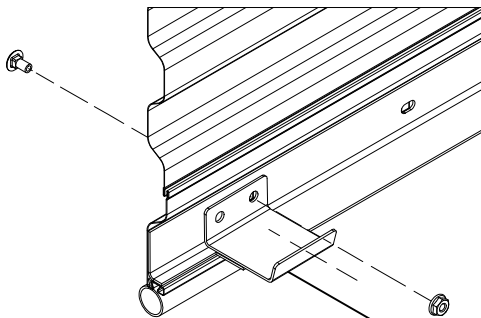


FIGURE 18:
MINI CLIP

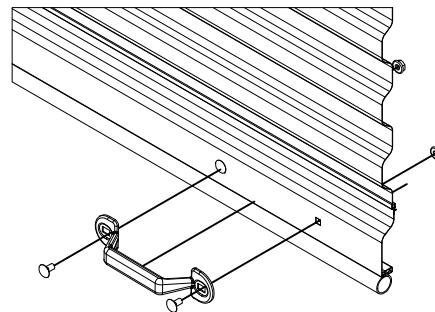


FIGURE 19:
HANDLE

NOTE:

FOR DOORS GREATER THAN 6' WIDE TWO (2) HANDLES WILL BE PROVIDED FOR INSTALLATION at CENTER & LATCH END OF BOTTOM BAR.

WARNING!

INSTALLATION OF MINI CLIPS ARE REQUIRED. FAILURE TO PROPERLY INSTALL CLIPS WILL RESULT IN THE DOOR CURTAIN TO TRAVEL BEYOND THE GUIDES RESULTING IN DOOR DAMAGE AND/OR PERSONAL INJURY.

STEP 9: CHECK DOOR OPERATION

- ▶ Lower and raise the door to test the doors balance.
- ▶ If door is easy to close but difficult to open; increase spring tension. *See Figure 20, on page 14.*
- ▶ If door is difficult to close but easy to open; decrease spring tension. *See Figure 20, on page 14.*

NOTE:

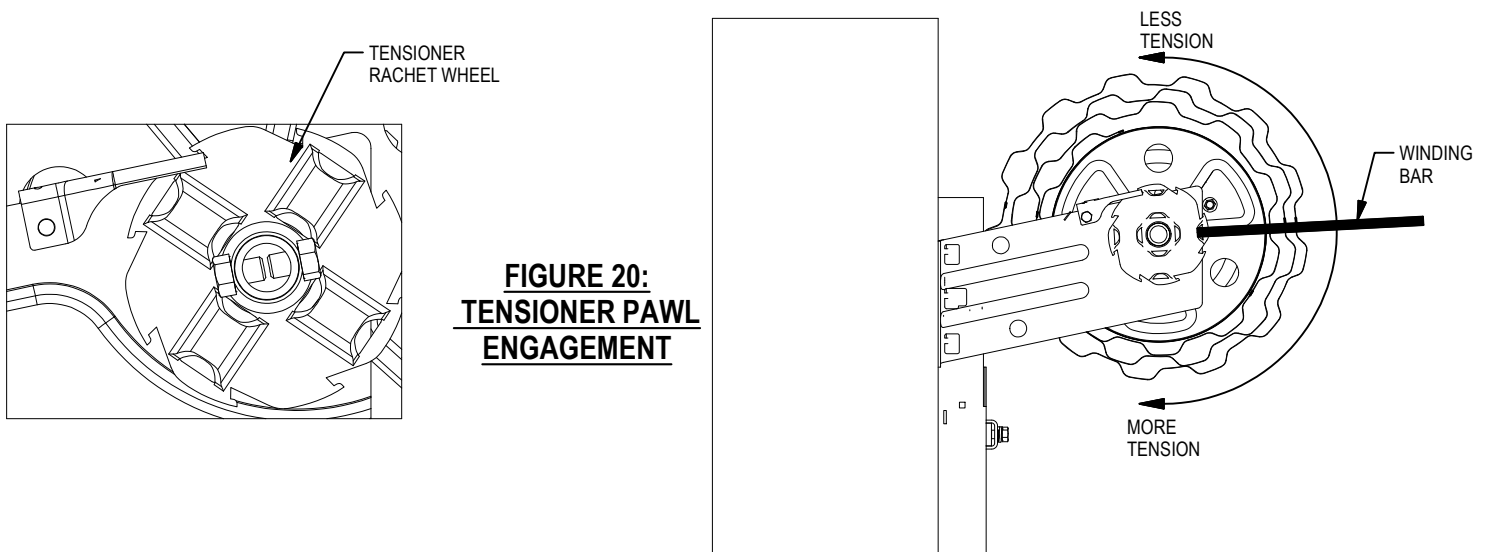
MANUAL ADJUSTMENTS OF SPRING TENSION MAY BE REQUIRED. ADJUSTMENTS ARE TO BE MADE USING $\frac{3}{8}$ " DIAMETER WINDING BAR. WHEN MAKING ADJUSTMENTS, ENSURE TENSIONER PAWL IS FULLY ENGAGED WITH TENSIONER RACHET WHEEL TOOTH BEFORE REMOVING WINDING BAR FROM IT. **SEE FIGURE 20** FOR VISUAL REFERENCE

STEP 10: ADJUST SPRING TENSION

- ▶ Place $\frac{3}{8}$ " diameter winding bar in tensioner ratchet wheel.
- ▶ Rotate winding bar in the down direction to increase spring tension. Each engagement of a tooth equals $\frac{1}{8}$ turn.
- ▶ To decrease spring tension, pull down slightly on winding bar until pawl disengages tooth. Lift flange on pawl and move winding bar up until just past the pawl/tooth engagement. Allow pawl to rest on ratchet wheel and continue moving winding bar up until pawl is fully engaged with the tooth.
- ▶ Remove winding bar and operate door.
- ▶ Repeat steps above (if needed).

WARNING!

COMPONENTS UNDER EXTREME SPRING TENSION COULD RESULT IN DEATH OR SERIOUS INJURY. ADJUSTMENTS MUST BE MADE BY TRAINED ROLLING DOOR TECHNICIANS USING PROPER TOOLS. DOOR MUST BE FULLY OPENED WHEN MAKING ADJUSTMENTS



NOTE:

LATCH SLIDE SLOT IN THE GUIDE MAY REQUIRE ADJUSTING AFTER DOOR INSTALLATION DUE TO VARIANCES IN MANUFACTURING AND/OR SITE CONDITIONS



STEP 11: PRODUCT SAFETY LABELS

- ▶ Visual ✓ for RDD-201 on tension bracket. (page 15)
- ▶ Visual ✓ for RDD-204 on bottom bar. (page 15)
- ▶ Install RDD-202 door drive side, guide or jamb. (page 15)

NOTE:

JANUS INTERNATIONAL REQUIRES THESE PRODUCT SAFETY/LABELS TO BE PLACE AND/OR INSTALLED TO FULLY COMPLETE INSTALLATION.

PRODUCT SAFETY LABELS

⚠ WARNING

<p>Moving door could result in death or serious injury</p> <p>Do NOT close door until doorway is clear</p>
SAFETY INSTRUCTIONS
<ol style="list-style-type: none"> 1. Control the speed of the door during manual operation. 2. Do not stand or walk under moving door. 3. Keep doorway clear and in full view while operating door. 4. Do NOT permit children to play on, near, or with door, or operate door controls. 5. Unlock door before opening door. 6. Sensing devices on motor operating doors should be tested frequently. 7. Adjustments or repairs must ONLY be made by a trained door systems technician using proper tools and instructions. 8. Visually inspect door and hardware monthly for worn and/or broken parts and check if door operates freely. DO NOT operate a door with a broken spring.
<p>Place label at a readable height on door drive side guide or jamb.</p> <p>Do NOT remove, cover, or paint over label.</p> <p>This label should be inspected periodically for legibility, and a replacement label should be ordered from the door manufacturer as needed.</p>

<p>12/07 RDD-202 ©</p>

RDD-202 Rolling Door Safety Label





RDD-201 Tension Safety Label



⚠ WARNING

<p>Components under extreme spring tension could result in death or serious injury.</p>
SAFETY INSTRUCTIONS
<ol style="list-style-type: none"> 1. Repairs and adjustments must be made by a trained rolling door systems technician using the proper tools and instructions. 2. Door must be fully opened when making adjustments.
<p>Do NOT remove cover or paint over label.</p> <p>This label should be inspected periodically for legibility, and a replacement label should be ordered from the door manufacturer as needed.</p>

<p>12/07 RDD-201 ©</p>
<p>Order # _____</p>

⚠ WARNING	SAFETY INSTRUCTIONS	<ol style="list-style-type: none"> 4. Do NOT permit children to play on, near, or with door, or operate door controls. 5. Unlock door before opening door. 6. Sensing devices on motor operated doors should be tested frequently. 	<ol style="list-style-type: none"> 7. Adjustments or repairs must ONLY be made by a trained door systems technician using proper tools and instructions. 8. Visually inspect door and hardware monthly for worn and/or broken parts and check if door operates freely. DO NOT operate a door with a broken spring. 	<p>Attach label to bottom bar.</p> <p>Do NOT remove, cover, or paint over label.</p> <p>This label should be inspected periodically for legibility, and a replacement label should be ordered from the door manufacturer as needed.</p>	
	<ol style="list-style-type: none"> 1. Control the speed of the door while manually operating. 2. Do not stand or walk under moving door. 3. Keep doorway clear and in full view while operating door. 	<p>Moving door could result in death or serious injury.</p> <p>Do NOT close door until doorway is clear.</p>	<p>12/07 RDD-204 ©</p>		

RDD-204 Rolling Door Bottom Bar Label

- ▶ Janus International requires the following product safety/labels to be in place and/or installed to fully complete installation.
- ▶ Any case where product safety labels are missing or damaged, contact Janus International immediately to obtain replacements.

OPTIONAL SLIDE LOCK & TOP/SIDE DRAFT STOP

**FIGURE 21:
OPTIONAL BOTTOM BAR
MOUNTED SLIDE LOCKS**

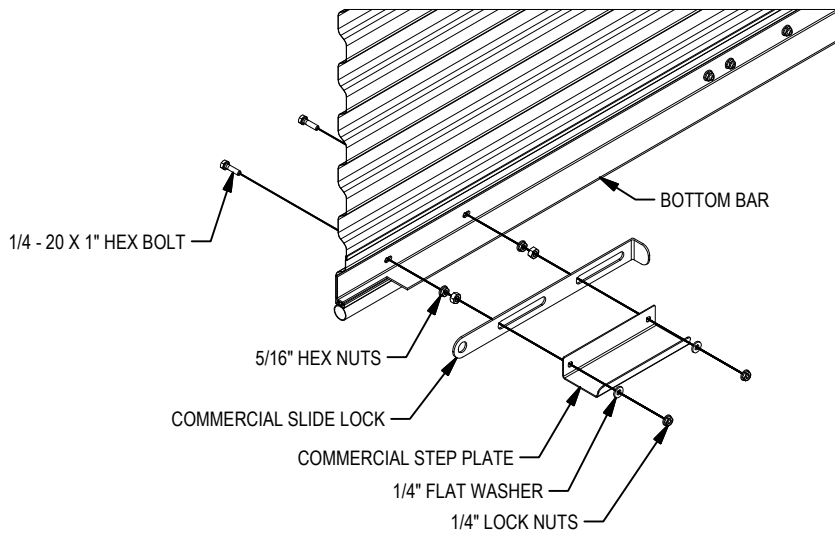
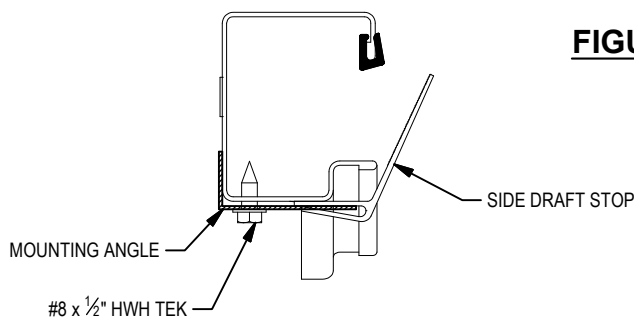
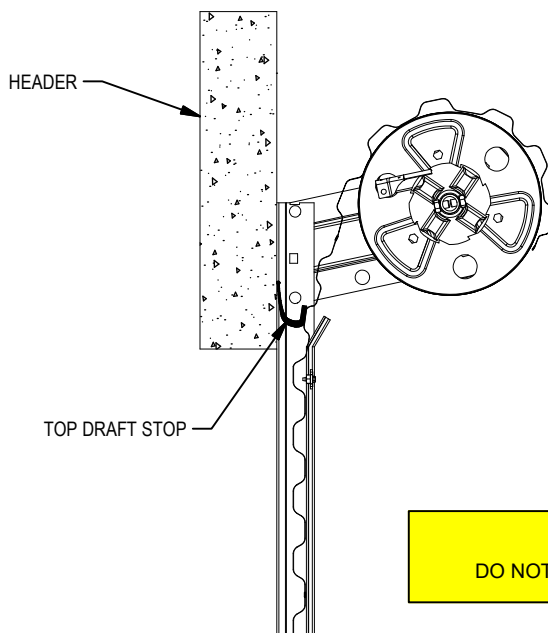


FIGURE 22: SIDE DRAFT STOP INSTALLATION

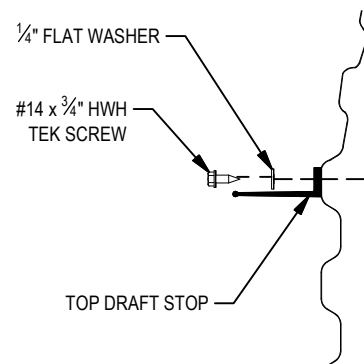


- ▶ Attach draft stop & angle flush with guide using #8 x 1/2" HWH Tek.

FIGURE 23: TOP DRAFT STOP INSTALLATION



- ▶ With door fully closed, mark curtain for draft stop mounting location.
- ▶ Raise curtain until mounting location is accessible.
- ▶ Attach top draft stop to curtain every 12" using #14 x 3/4" HWH TEK screws and flat washers.



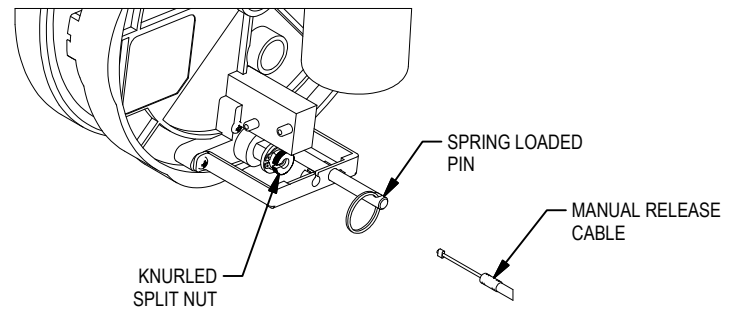
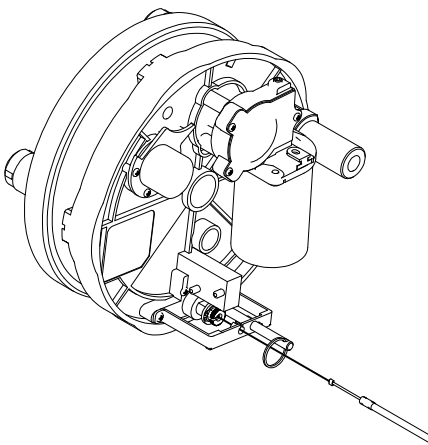
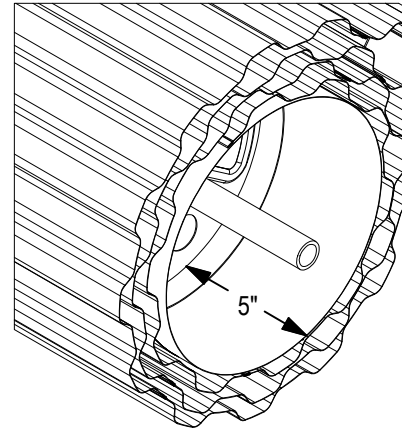
WARNING!
DO NOT OVER TORQUE FASTENERS

OPTIONAL JSS PANTHEON INSTALLATION

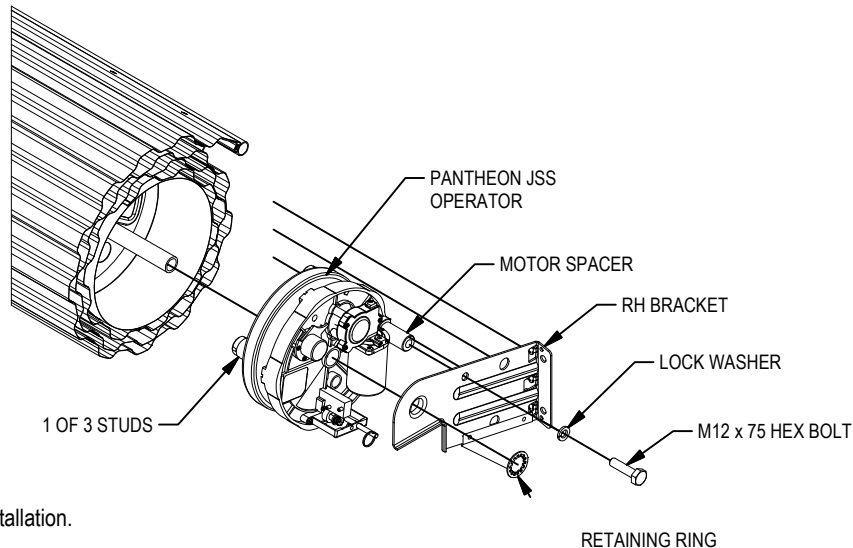
NOTE:

CONNECTING THE MANUAL RELEASE CABLE TO DIVE IS TO BE DONE BEFORE DOOR IS INSTALLED

- ▶ Check to ensure 5" inset on the barrel is present.
- ▶ Pull ring on spring loaded pin and twist to disengage auto (electric mode).
- ▶ Rotate motor head to test manual operation.
- ▶ Remove the knurled split nut.
- ▶ Uncoil the manual release cable and insert the free end of the cable into the threaded recess where the knurled split nut was removed
- ▶ Reinstall knurled split nut and tighten
- ▶ Carefully coil release cable and motor electric cables together and secure to each other in order to prevent uncoiling or damage during installation of the door
- ▶ Remove right hand bracket from end of door.



- ▶ Place the drive unit inside the door drum assembly and verify the three (3) studs on the back of the drive unit are fully engaged in the three (3) holes on the steel drum wheel.



- ▶ Return to page 9 to continue installation.

WARNING!

TAKE CARE TO ENSURE THAT THE CABLES FROM THE DRIVE UNIT ARE NOT DAMAGED OR PERMITTED TO RUB ON ANY PART OF THE STRUCTURE OR THE DOOR DURING THE INSTALLATION.

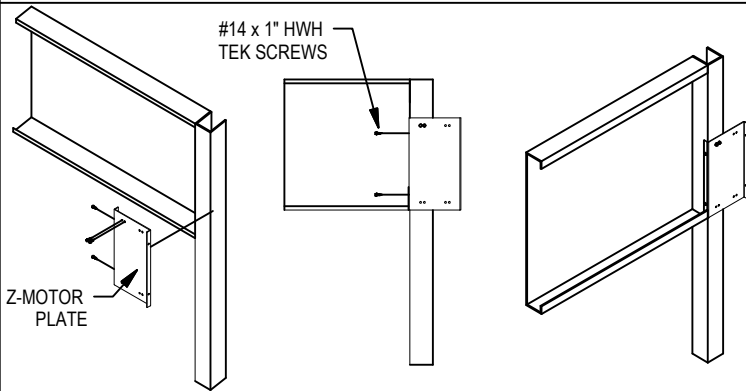
NOTE:

FOR THE COMPLETE INSTRUCTIONS ON INSTALLING AND SETTING UP THE PANTHEON MOTOR, PLEASE REFERENCE THE PANTHEON INSTRUCTIONS FOR FURTHER DETAILS.

OPTIONAL ATA EZ-ROLLER INSTALLATION

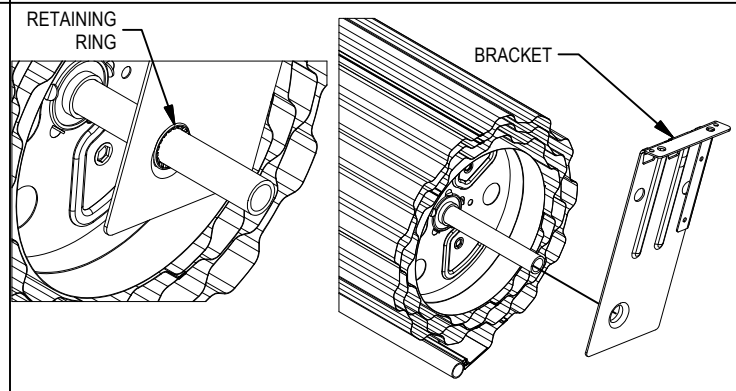
STEP 1

INSTALL Z-MOTOR PLATE (OPTIONAL)



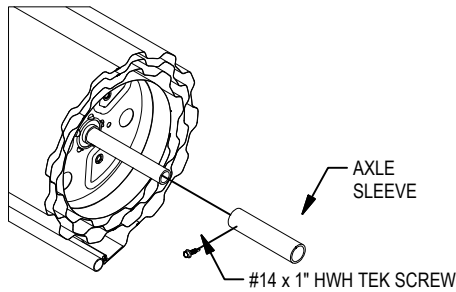
STEP 2

CUT RETAINING RING & REMOVE BRACKET



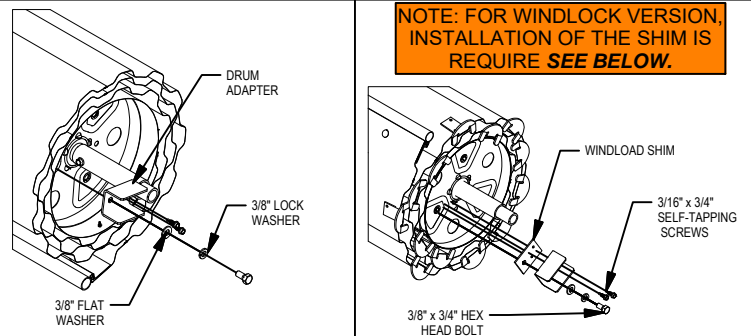
STEP 3

INSTALL AXLE SLEEVE



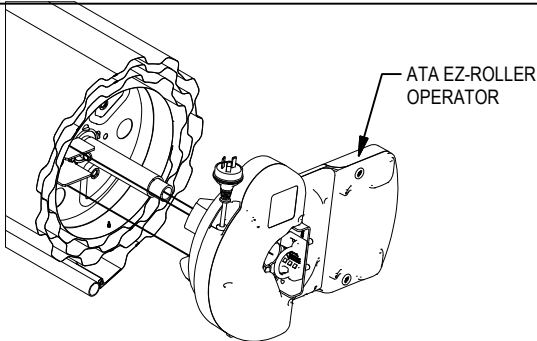
STEP 4

INSTALL DRUM ADAPTER



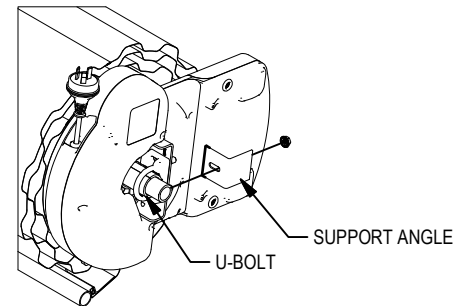
STEP 5

INSTALL ATA EZ-ROLLER



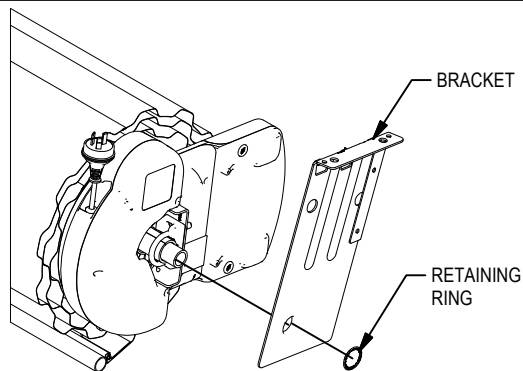
STEP 6

INSTALL HODGE CLIP



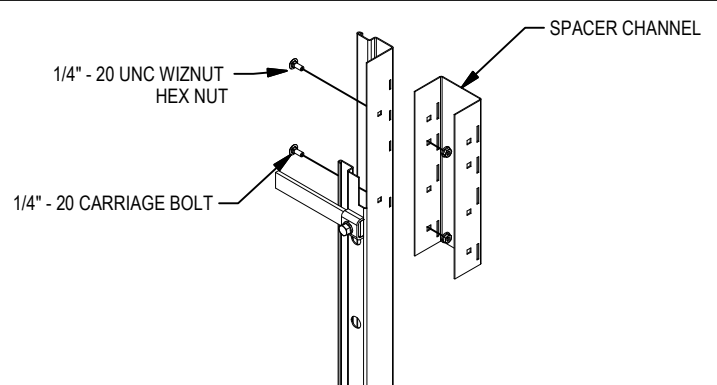
STEP 7

INSTALL ATA EZ-ROLLER



STEP 8

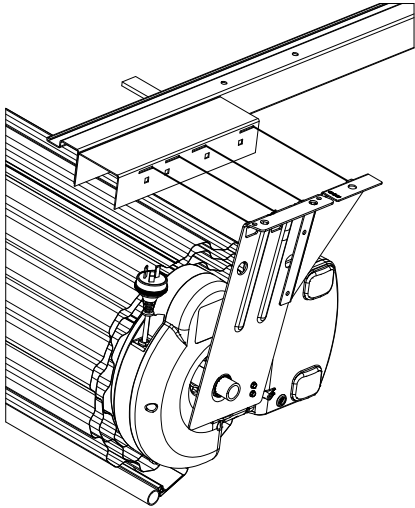
INSTALL SPACER CHANNEL



OPTIONAL ATA EZ-ROLLER INSTALLATION (CONT.)

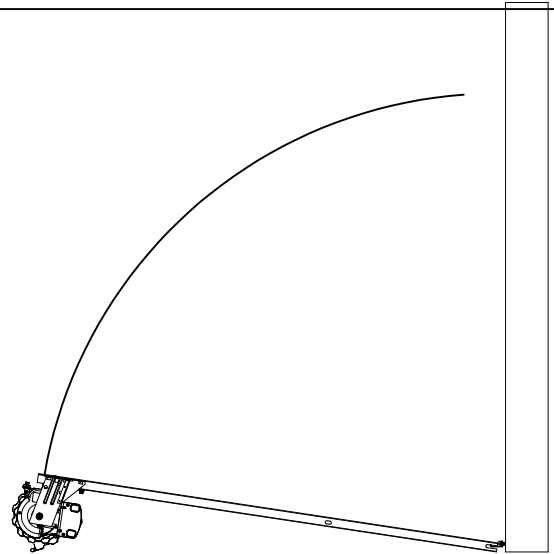
STEP 9

INSTALL SPACER CHANNEL & GUIDE TO BRACKET



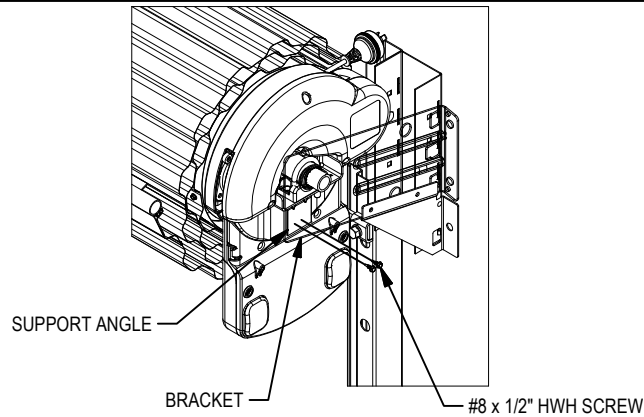
STEP 10

LIFT DOOR INTO PLACE



STEP 11

SECURE HODGE CLIP TO BRACKET



- ▶ Step 1: Install the Z-Motor Plate using Min. 3 - #14 x 1 HWH TEK screws.
- ▶ Step 2: Cut retaining ring on axle and discard. Remove bracket and save for later use.
- ▶ Step 3: Slide axle sleeve onto axle and secure with #14 x 1" HWH TEK screw
- ▶ Step 4: Install drum adapter onto face of drum.
- ▶ Step 5: Slide ATA EZ-Roller onto axle shaft until legs meet the face of the drum with drum adapter between both legs.
- ▶ Step 6: Install Support Angle onto the front leg of the U-Bolt.
- ▶ Step 7: Install bracket and new retaining ring onto axle until the bracket is flush with the face of the ATA EZ-Roller.
- ▶ Step 8: Install Spacer channel onto Guide.
- ▶ Step 9: Attach spacer channel/guide assembly to bracket.
- ▶ Step 10: Return to **step 4** on **page 9** to continue installation (See Step 11 before returning to **step 4** on **page 9**).
- ▶ Step 11: Once door is fully secured to jambs, fasten support angle to bracket using 2 - #8 x 1/2" HWH TEK screws.

Operation and Maintenance

The following manual is provided to evaluate the operational performance and future maintenance of Janus International Rolling Sheet door product line. Janus International mandates rolling sheet door product installation by trained rolling door technicians and future maintenance by experienced/qualified personnel. Specific parts, components, assemblies, etc. that are determined to be defective, worn or unsafe by performance evaluations or preventative maintenance programs must result in rolling sheet door assembly taken out of service. All repairs, part replacements or adjustments must be made by trained rolling door technicians to place rolling sheet door assembly back into service. It is **MANDATORY** that all Janus International door technicians and other technicians, installers and future maintenance staff comply fully with all safety information, procedures and instructions contained in this manual. **Failure to do so could result in premature part/component failure resulting in serious injury or death to others** and, with respect to Janus International door technicians, immediate termination of employment

Adjustments, part replacement, repairs, etc. must be performed by trained rolling door technician

ROLLING SHEET DOOR PERFORMANCE EVALUATION

- Rolling Door operation should be easy at/near the open and closed positions. Rolling Door may require more effort to open through the middle portion of travel.
- Rolling Door operation to the open position should result in bottom bar angle resting against head stops and remain in the open position.
- Rolling Door operation should not exceed 35lb. of force for hand chain operation, and 30 lb. for manual operation.
- Rolling Door operational balance evaluation:
If door operation is easy to close, but hard to open; spring tension needs to be increased
If door operation is hard to close, but easy to open; spring tension needs to be decreased
Spring tension adjustments must be made by trained rolling door technician. Refer to Rolling Door installation instructions for tension adjustment procedure.

▲ WARNING: Extreme spring tension can cause serious injury or death ▲

- Rolling Door electrical motor operation should be evaluated quarterly.
- Prior to Rolling Door electrical motor operation ensure that doorway is clear and in full view before and during complete operation cycle.
- UL 325 requires constant pressure to close for doors without sensing edges or photoelectric sensors/eyes.
- Sensing devices should be tested at least weekly. Sensing edges should be tested at both ends to evaluate proper operation. Photoelectric eyes must be tested by breaking beam to evaluate proper operation.
- Evaluate operator limit setting at door travel open and closed positions. If operator limit setting has become out of sync with door open and close positions, refer to operator installation instructions to reset limits to an appropriate setting in relationship to door open and closed positions.
- If at any time during Rolling Door electrical motor operation, motor sounds like it is under excessive load or stress to open the door:
 - ▲ Close door using motor operator. Engage motors manual operation feature to manually operate the door to the open position.
 - ▲ If door operation is heavy, cannot be completely opened or hard to open and will not stay in open position; Spring Assembly counterbalance evaluation is required, which may require adjustment or replacement.
 - ▲ **Spring tension adjustments or repairs must be made by trained rolling door technician. Refer to Rolling Door installation instructions for tension adjustment procedure.**
 - ▲ **Determination of counterbalance repair must result in Rolling Door taken out of service until required repairs are complete.**

VISUAL INSPECTION

Guides:

- Guide fasteners must be present and secured in each existing hole/slot provided with fasteners supplied by Janus International.
- Guides must not be bent, crushed or damaged in a way that binds the curtain and/or bottom bar assembly at any portion of travel.
- Head stops must be securely fastened in place at top of guide to prevent bottom bar from traveling out of the top of the guides when rolling door curtain is fully raised to the open position.
- Inspect guide wear strip (when provided) for excessive cracking, tearing, wear or absence.

Curtain:

- During rolling door operation, curtain and bottom bar assembly must move freely inside guides and not contact header or ceiling.
- Latches, Step Plates, Slidelocks, Windlocks, etc. (when provided) must always be securely fastened to curtain assembly.
- **Windlocks should never be removed from curtain.**
- Inspect curtain wear material or felt tape (when provided) for excessive tearing, wear or absence.
- Inspect Weather Seals; Top Draft Stop, Aide Draft Stop, Brush (when provided)

Brackets/Mounting Plates:

- All fasteners must be present and secured with fasteners detailed in installation instructions.
- Brackets & Mounting plates (when provided) must not be bent or damaged in a way that adversely effects the safe operation of door assembly.

Hood Assembly:

- When provided, all fasteners attaching hood endcaps, hood support (when provided), and hood to wall must be secure.
- Hood endcaps or hood must not be bent or crushed in a manner which binds the curtain thus hindering the proper operation of rolling door operation.

Chain Hoist Gears:

- Fasteners attaching all chain hoist components, & gears must be securely fastened.
- Visually inspect gears for broken, cracked, missing or extremely worn teeth.
- Clear debris from gear teeth.

Sprockets and Roller Chain Drive:

▲Sprocket misalignment will result in excessive wear and could cause roller chain to jump off of sprocket during operation or lead to premature failure of roller chain assembly.

- Visually inspect sprocket alignment between Rolling Door sprocket and output sprocket of motor operator. Align sprockets and tighten set screws as needed.
- Inspect roller chain for excessive wear or damage.
- Roller Chain Lubrication: SAE 20 oil to be used for service temperatures between 32° F and 104° F. Apply oil where chain tension is minimal.
- Check fasteners and tighten as required.

Tensioning Devices & Axle Supports:

- Fasteners attaching all tensioning devices and axle supports must be securely fastened.
- Set screws securing axle must be securely fastened.
- Inspect for components for damage or deformity.

▲Determination of tensioning device repair or replacement must result in Rolling Door taken out of service until required repairs are complete. Repair or replacement must be performed by trained rolling door technician

▲Product safety labels should be periodically inspected and cleaned by the product user as necessary to maintain good legibility for safe viewing distance

Product safety labels should be replaced by the product user when they no longer meet the legibility requirements for safe viewing distance. In any case where products have an extensive expected life or where exposed to extreme conditions, the product user should immediately contact Janus International to obtain replacements.