

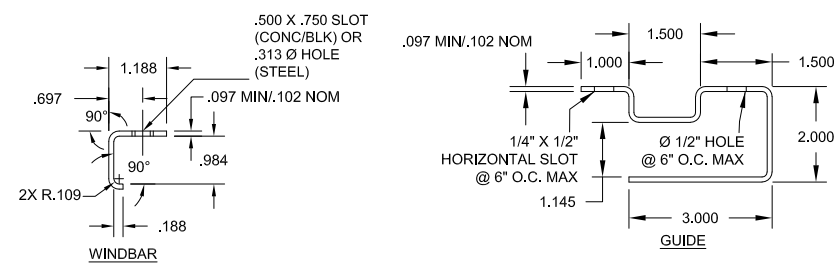
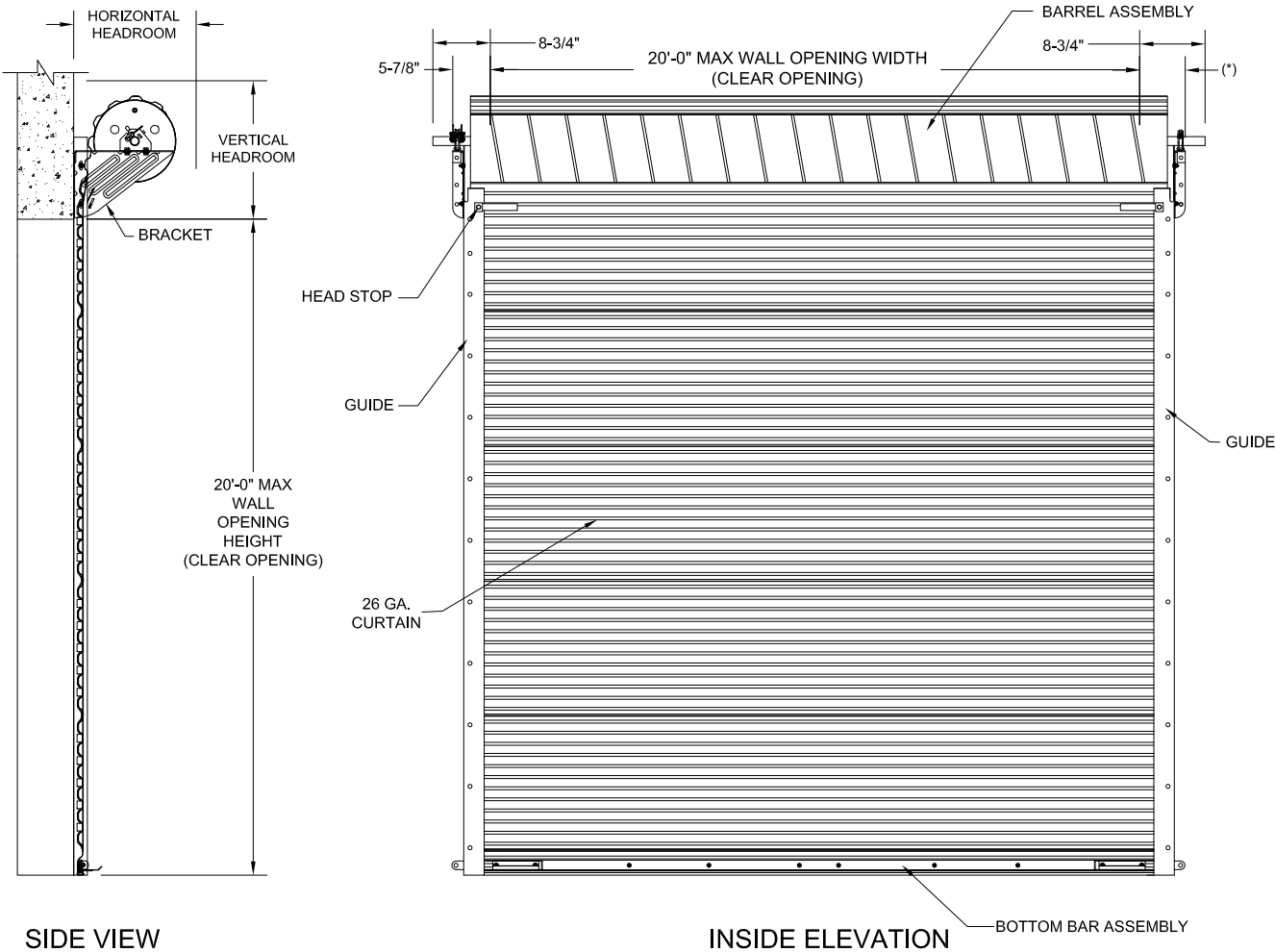
**REVISIONS**

REV	DESCRIPTION	DATE	APPROVAL
-	DRAWING RELEASE	8-11-22	BA
A	ADD OPTION 1 & OPTION 2 STEEL MOUNT	1-17-23	BA
B	ADD WOOD & MASONRY TO PAGE 2	3-7-23	BA

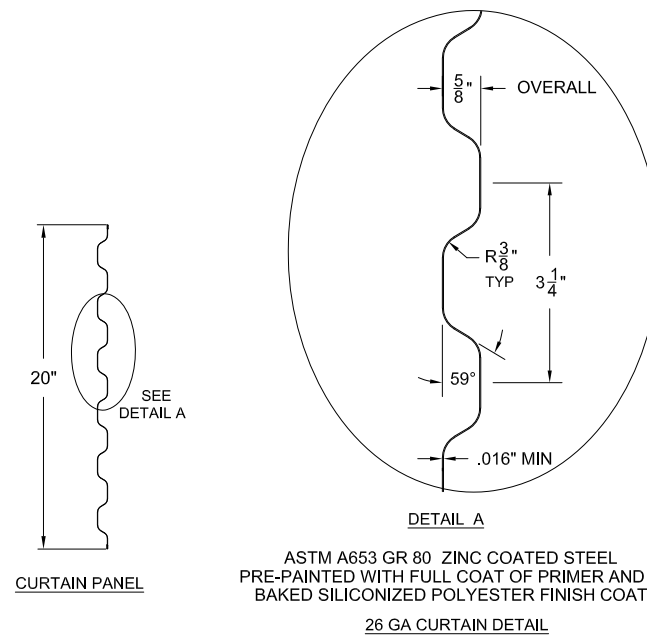
**3100 HEADROOM REQUIRED 1850 HEADROOM REQUIRED**

OPENING HEIGHT	VERTICAL HEADROOM	HORIZONTAL HEADROOM	OPENING HEIGHT	VERTICAL HEADROOM	HORIZONTAL HEADROOM
THRU 8'-0"	20"	20"	THRU 8'-0"	19"	19"
OVER 8'-0" THRU 10'-0"	21"	21"	OVER 8'-0" THRU 10'-0"	20"	20"
OVER 10'-0" THRU 14'-0"	21-1/2"	21"	OVER 10'-0" THRU 14'-0"	20-1/2"	20"
OVER 14'-0" THRU 18'-0"	22"	22"			
OVER 16'-0" THRU 18'-0"	22"	22"			
OVER 18'-0" THRU 20'-0"	22"	22"			

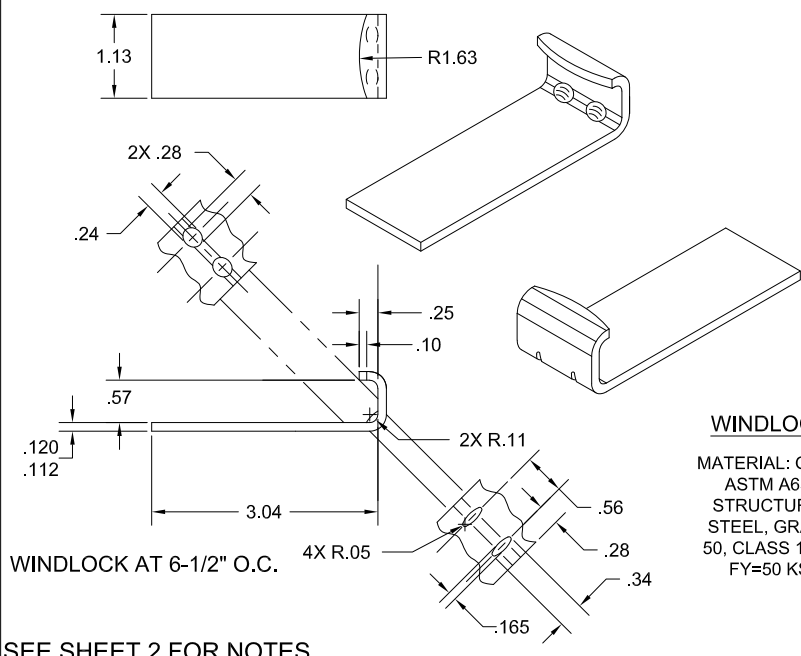
(\* ) FOR PUSH-UP OPERATION:.....5-7/8"  
 FOR HAND CHAIN OPERATION:..6-5/8"  
 FOR ELECTRIC OPERATION:.....7-3/8"  
 FOR OUTSIDE OF CHAIN DRIVE:..8-1/8"  
 NOTE: RIGHT SIDE DRIVE SHOWN



ALL COMPONENTS SHALL BE  
 ASTM A653 STEEL W/MIN  
 FY=33 KSI



John E. Scates, P.E.  
 2560 King Arthur Blvd, Ste 124-54  
 Lewisville, TX 75056  
 FL PE 51737\_TX PE 56308/F2203



**WINDLOCK**  
 MATERIAL: GALV.  
 ASTM A653  
 STRUCTURAL  
 STEEL, GRADE  
 50, CLASS 1 MIN  
 FY=50 KSI

Printed copies of this document are not considered signed and sealed and the signature must be verified on any electronic copies.

THESE CONFIDENTIAL DOCUMENTS SUBMITTED BY JANUS CONTAIN INFORMATION OF A PROPRIETARY NATURE AND MAY NOT BE REPRODUCED OR USED TO MANUFACTURE ANYTHING IN PART OR IN WHOLE FOR ANY PURPOSE OTHER THAN THAT WHICH IS NECESSARY FOR PREPARATION OF BIDS OF ENGINEERING WITHOUT THE EXPRESS PERMISSION OF JANUS WHICH MAY RECALL DOCUMENTS AT ANY TIME.

UNLESS OTHERWISE SPECIFIED DIMENSIONS ARE IN INCHES. TOLERANCES LISTED BELOW.

DECIMAL	FRACTIONS	ANGLES	HOLE DIAMETERS
X.XX	+/-0.030"	+/-1/16"	+/- 0° 30'
X.XXX	+/-0.005"		
			UNDER 0.251
			0.251 - 0.500
			OVER 0.500

PART NUMBER:	
MATERIAL:	
APPLIED FINISH:	
UNIT OF MEASURE:	
APPROVALS	DATE
DRAWN:	
CHECKED:	
APPROVED:	

**JANUS INTERNATIONAL GROUP, LLC.**  
 135 JANUS INTERNATIONAL BLVD TEMPLE, GA 30179  
 770-562-2850/Fax 770-562-2264  
 © 2022 Janus International Group, LLC. All Rights Reserved

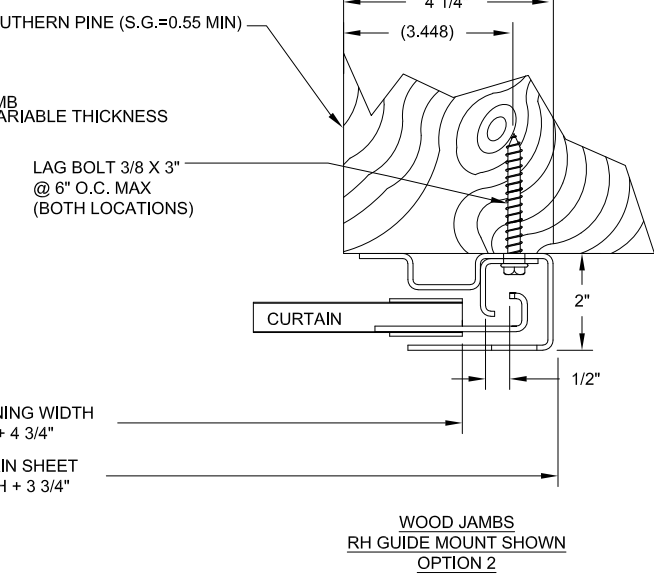
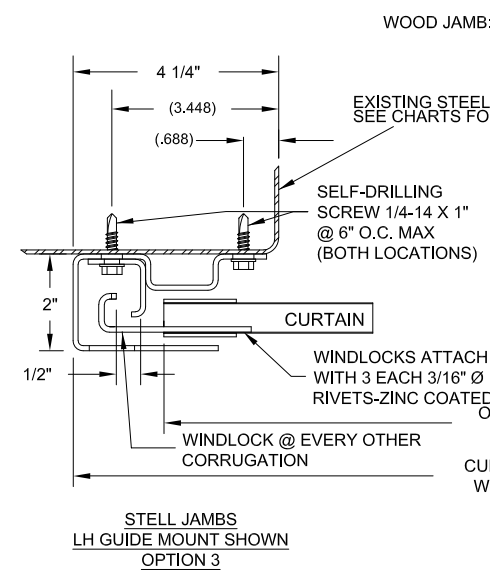
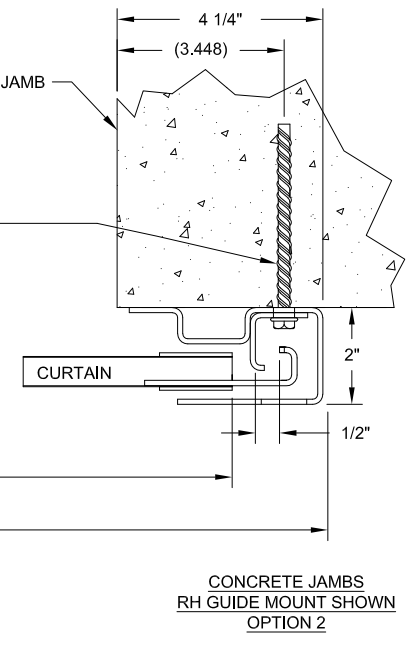
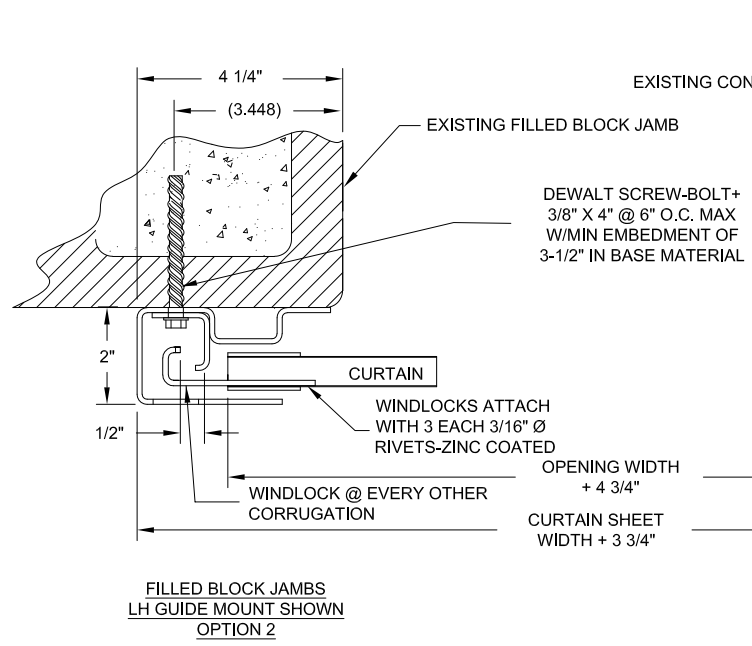
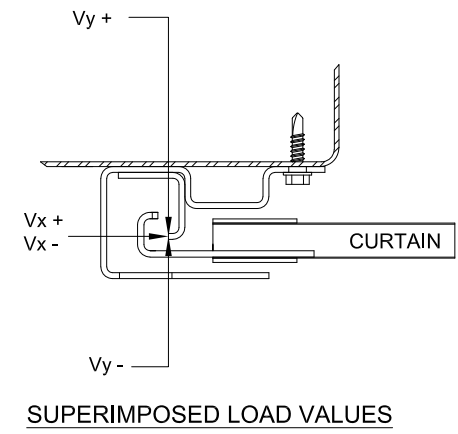
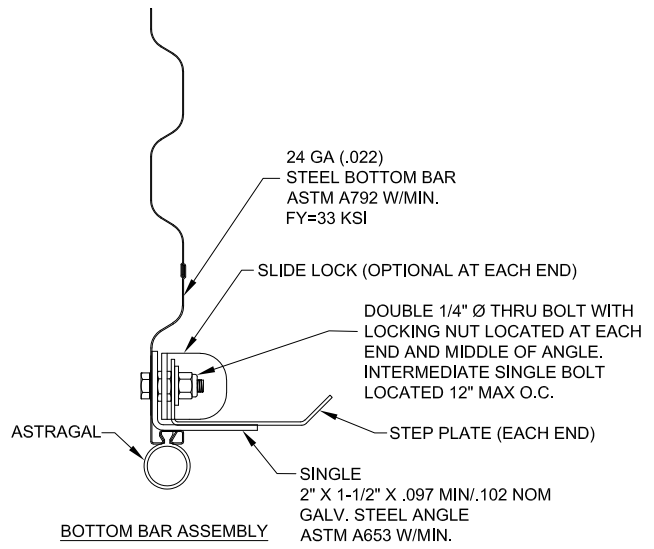
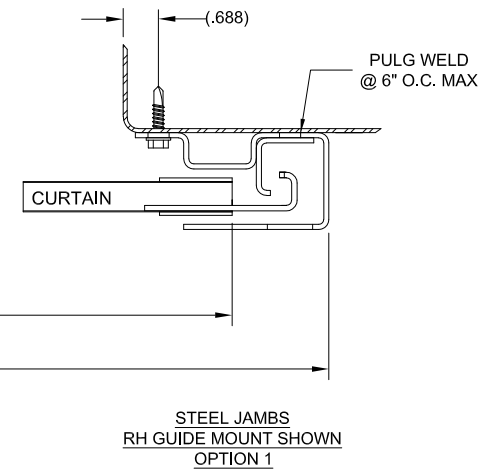
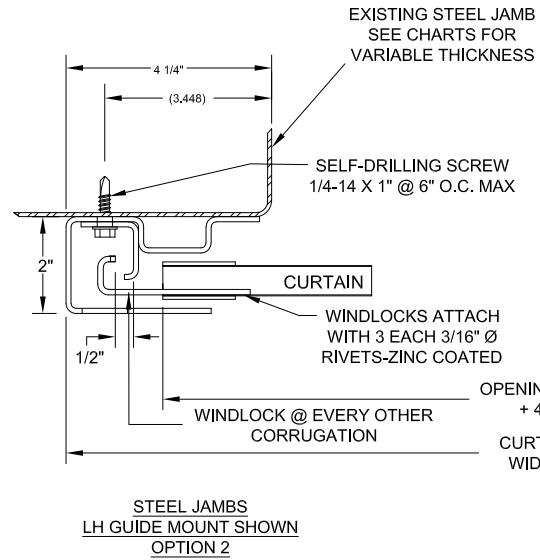
**CERTIFIED WIND LOAD RATED 26 GA.  
 SERIES 1850/1850-IM & 3100/3100-IM  
 DOOR ASSEMBLY**

SIZE: **B** DRAWING NUMBER: **T1017** REV. **B**

SCALE: NONE SHEET: 1 OF 3

SEE SHEET 2 FOR NOTES

# CONFIGURATION: SINGLE ANGLE BOTTOM BAR



ALLOWABLE TRANSVERSE DESIGN WIND LOADS (PSF)		
NON-IMPACT RATED DOORS		
MAX OPENING WIDTH	1004-A	1004-B
	JAMBS	
	STEEL 14 GA	STEEL 12 GA, MASONRY, WOOD
	DESIGN LOAD (PSF)	DESIGN LOAD (PSF)
8'-0"	+42.5/-48.2	+58.5/-66.3
9'-0"	+38.0/-43.1	+52.3/-59.3
10'-0"	+34.3/-38.9	+47.2/-53.6
11'-0"	+31.3/-35.5	+43.1/-48.9
12'-0"	+28.7/-32.6	+39.6/-44.9
13'-0"	+26.6/-30.2	+36.7/-41.6
14'-0"	+24.7/-28.1	+34.1/-38.7
15'-0"	+23.2/-26.3	+31.9/-36.2
16'-0"	+21.7/-24.7	+30.0/-34.0
17'-0"	+20.4/-23.2	+27.1/-30.8
18'-0"	+19.4/-22.0	+24.6/-27.9
19'-0"	+18.3/-20.8	+22.6/-25.7
20'-0"	+17.4/-19.8	+20.9/-23.7

SUPERIMPOSED LOAD VALUES (PLF)		
POINT		
Vy+	177	246
Vx+	1032	1270
Vx-	1200	1457
Vy-	202	279

**GENERAL NOTES (PAGE 2 SPECIFIC):**

- TESTING:
  - TESTED PER DASMA 108 (STATIC).
- DESIGN WINDLOAD REQUIREMENTS FOR BUILDING OPENINGS SHALL BE DETERMINED BY OTHERS.
- SUPERIMPOSED LOADS ON THE JAMBS FROM THIS DOOR ARE DESIGNATED AS Vx and Vy HEREIN. OTHERS SHALL VERIFY ADEQUACY OF BUILDING STRUCTURE TO RESIST SUPERIMPOSED LOADS Vx, Vy.
- ALL WELDING SHALL BE PREFORMED BY QUALIFIED WELDERS IN ACCORDANCE WITH A.W.S. SPECIFICATIONS. WELDING ELECTRODES SHALL CONFORM TO A.W.S. A5.1 GRADE E-70
- DOORS SHALL BE PROVIDED WITH LOCK MECHANISMS AT THE OPTION OF THE OWNER
- FASTENER NOTES:
  - FASTENERS SHALL BE INSTALLED IN ACCORDANCE WITH MANUFACTURER'S SPECIFICATIONS
- DOOR OPERATION TYPE MAY BE PUSH-UP, HAND CHAIN, OR ELECTRIC.
- GUIDE-TO-JAMB ATTACHMENT FASTENERS BEGIN 4" FROM FLOOR AND END 4" BELOW THE TOP OF WALL OPENING.
- COMPLIES WITH THE WINDLOAD REQUIREMENTS OF IBC/IRC 2018
- PROFESSIONAL ENGINEER'S SEAL PROVIDED ONLY FOR CERIFICATION OF WINDLOAD CONSTRUCTION DETAILS

THESE CONFIDENTIAL DOCUMENTS SUBMITTED BY JANUS CONTAIN INFORMATION OF A PROPRIETARY NATURE AND MAY NOT BE REPRODUCED OR USED TO MANUFACTURE ANYTHING IN PART OR IN WHOLE FOR ANY PURPOSE OTHER THAN THAT WHICH IS NECESSARY FOR PREPARATION OF BIDS OF ENGINEERING WITHOUT THE EXPRESS PERMISSION OF JANUS WHICH MAY RECALL DOCUMENTS AT ANY TIME.

UNLESS OTHERWISE SPECIFIED DIMENSIONS ARE IN INCHES. TOLERANCES LISTED BELOW.

DECIMAL	FRACTIONS	ANGLES	HOLE DIAMETERS
X.XX	+/-0.030"	+/-1/16"	+/- 0° 30'
X.XXX	+/-0.005"		
			UNDER 0.251
			0.251 - 0.500
			OVER 0.500

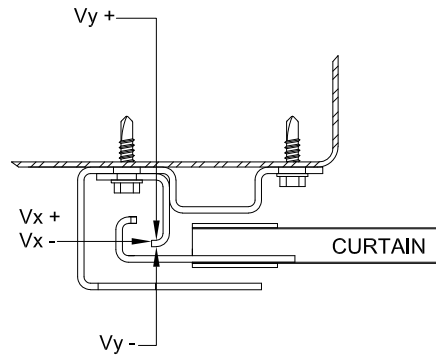
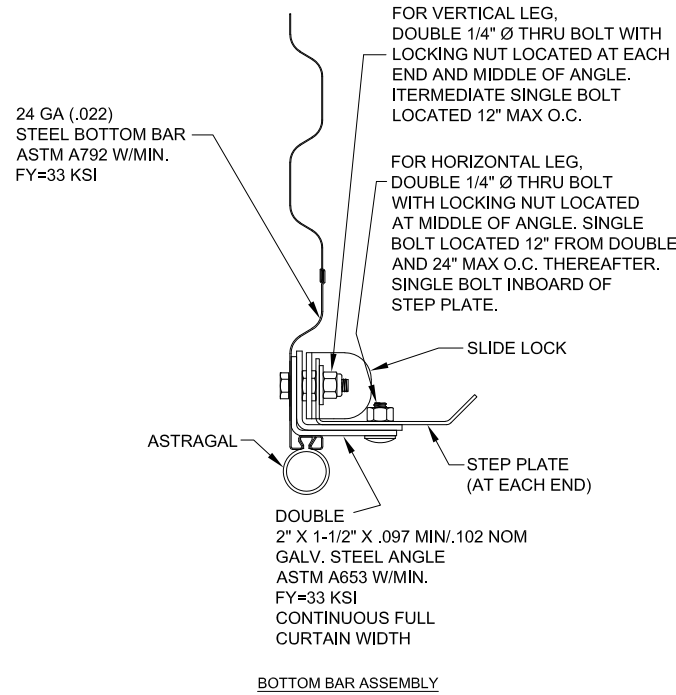
PART NUMBER:	
MATERIAL:	
APPLIED FINISH:	
UNIT OF MEASURE:	
APPROVALS	DATE
DRAWN:	
BOBBY ABERCROMBIE	08-11-22
CHECKED:	
CURT SCHROEDER	08-11-22
APPROVED:	
CURT SCHROEDER	08-11-22

**JANUS INTERNATIONAL GROUP, LLC.**  
 135 JANUS INTERNATIONAL BLVD TEMPLE, GA 30179  
 770-562-2850/Fax 770-562-2264  
 © 2022 Janus International Group, LLC. All Rights Reserved

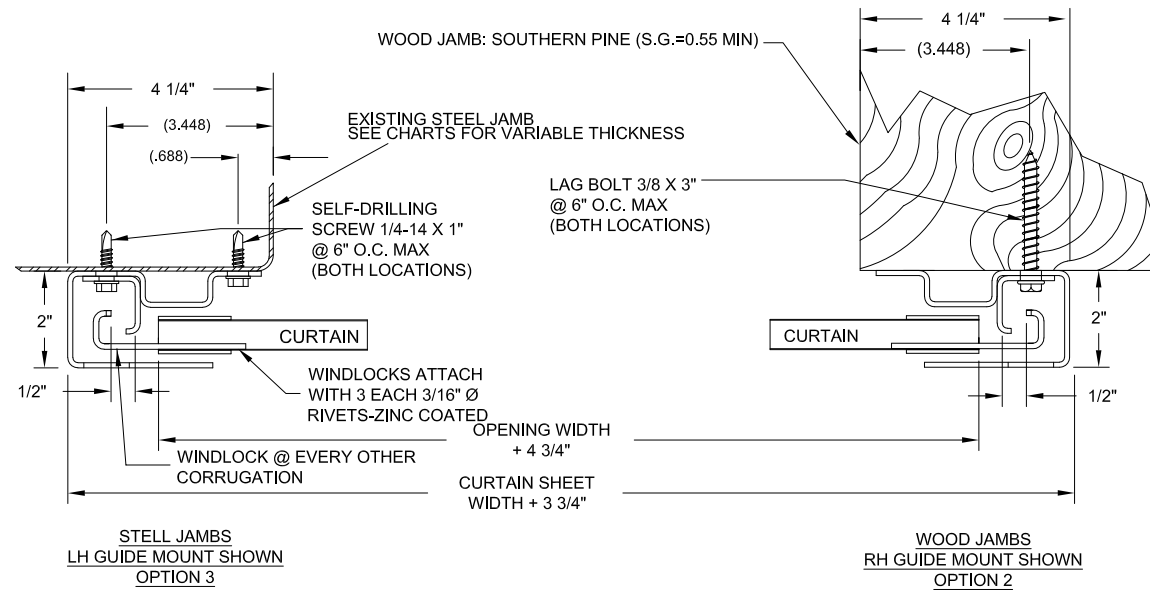
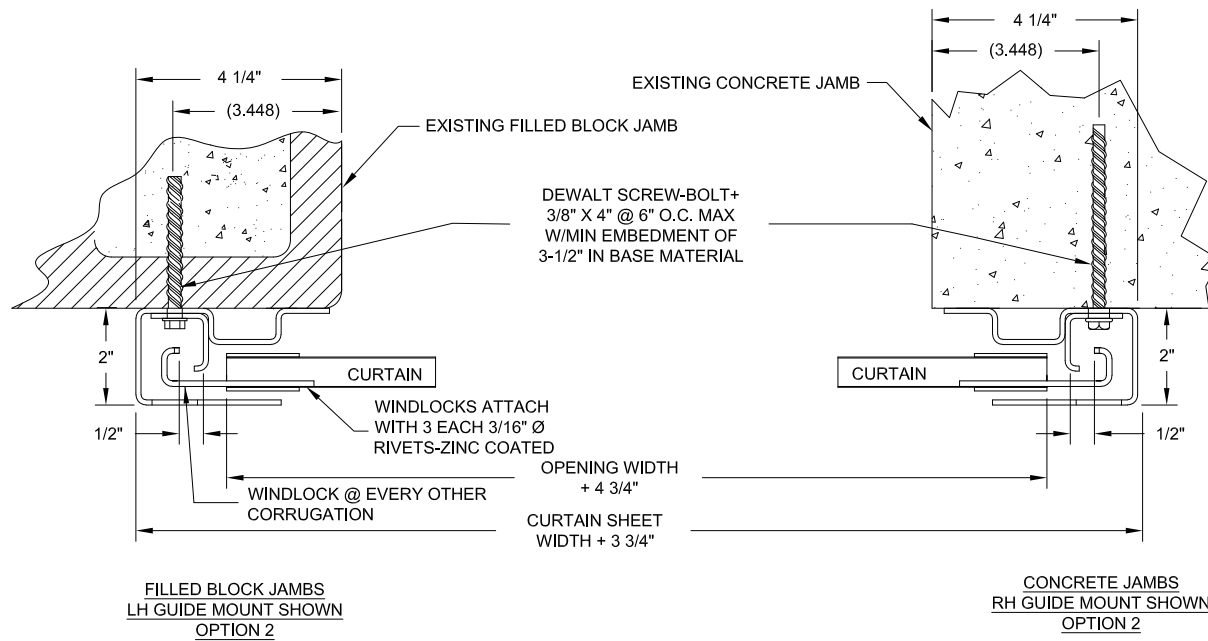
CERTIFIED WIND LOAD RATED 26 GA.  
 SERIES 1850/1850-IM & 3100/3100-IM  
 DOOR ASSEMBLY

SIZE	DRAWING NUMBER:	REV.
<b>B</b>	<b>T1017</b>	<b>B</b>
SCALE:	SHEET: 2 OF 3	
NONE		

# CONFIGURATION: DOUBLE ANGLE BOTTOM BAR



SUPERIMPOSED LOAD VALUES  
OPTION 2 WOOD, CONCRETE, & CMU MOUNT  
OPTION 3 STEEL MOUNT



ALLOWABLE TRANSVERSE DESIGN WIND LOADS (PSF)		
NON-IMPACT RATED DOORS		
MAX OPENING WIDTH	1017-A	1017-B
	JAMBS	
	STEEL 14 GA	STEEL 12 GA, MASONRY, WOOD
	DESIGN LOAD (PSF)	DESIGN LOAD (PSF)
8'-0"	+68.0/-68.0	+82.1/-87.0
9'-0"	+61.0/-61.0	+73.6/-78.0
10'-0"	+55.3/-55.3	+66.1/-70.0
11'-0"	+50.5/-50.5	+60.9/-64.5
12'-0"	+46.4/-46.4	+55.7/-59.0
13'-0"	+42.9/-42.9	+51.9/-55.0
14'-0"	+40.0/-40.0	+48.1/-51.0
15'-0"	+35.6/-35.6	+44.3/-47.0
16'-0"	+32.0/-32.0	+42.5/-45.0
17'-0"	+29.0/-29.0	+38.5/-40.8
18'-0"	+26.4/-26.4	+35.2/-37.3
19'-0"	+24.2/-24.2	+32.3/-34.3
20'-0"	+22.3/-22.3	+29.8/-31.6
IMPACT RATED DOORS		
MAX OPENING WIDTH	1017-AIM	1017-BIM
	DESIGN LOAD (PSF)	DESIGN LOAD (PSF)
14'-0"	+40.0/-40.0	+42.5/-45.0
16'-0"	-	+42.5/-45.0
SUPERIMPOSED LOAD VALUES (PLF)		
POINT		
Vy+	288	348
Vx+	1365	1856
Vx-	1365	1974
Vy-	288	369

GENERAL NOTES (PAGE 3 SPECIFIC):

- TESTING:
  - TESTED PER DASMA 108 (STATIC) AND DASMA 115 (IMPACT AND CYCLIC).
- DESIGN WINDLOAD REQUIREMENTS FOR BUILDING OPENINGS SHALL BE DETERMINED BY OTHERS.
- SUPERIMPOSED LOADS ON THE JAMBS FROM THIS DOOR ARE DESIGNATED AS Vx and Vy HEREIN. OTHERS SHALL VERIFY ADEQUACY OF BUILDING STRUCTURE TO RESIST SUPERIMPOSED LOADS Vx, Vy.
- ALL WELDING SHALL BE PREFORMED BY QUALIFIED WELDERS IN ACCORDANCE WITH A.W.S. SPECIFICATIONS. WELDING ELECTRODES SHALL CONFORM TO A.W.S. A5.1 GRADE E-70
- DOORS SHALL BE PROVIDED WITH SLIDE LOCK AT EACH END.
- ALL BOLTS AND WASHERS SHALL BE GALVANIZED OR STAINLESS STEEL WITH A MINIMUM TENSILE STRENGTH OF 60 KSI.
- ANCHOR NOTES:
  - EMBEDMENT LENGTH DOES NOT INCLUDE STUCCO FINISH, LONGER ANCHORS ARE NEEDED WITH STUCCO FINISH.
  - FOR HOLLOW BLOCK, FILL ALL CELLS @ANCHOR WITH 2000 PSI GROUT.
  - CONCRETE TO BE 2500 PSI MIN.
  - ANCHORS SHALL BE INSTALLED IN ACCORDANCE WITH MANUFACTURER'S SPECIFICATIONS
  - APPROVED CONCRETE AND FILLED-CMU ANCHORS:
    - 3/8" DEWALT SCREW-BOLT+
    - 3/8" SIMPSON TITEN HD.
    - 3/8" HILTI KH-EZ
- DOOR OPERATION TYPE MAY BE PUSH-UP, HAND CHAIN, OR ELECTRIC.
- GUIDE-TO-JAMB ATTACHMENT FASTENERS BEGIN 4" FROM FLOOR AND END 4" BELOW THE TOP OF WALL OPENING.
- COMPLIES WITH THE WINDLOAD REQUIREMENTS OF IBC/IRC 2018
- PROFESSIONAL ENGINEER'S SEAL PROVIDED ONLY FOR VERIFICATION OF WINDLOAD CONSTRUCTION DETAILS.

THESE CONFIDENTIAL DOCUMENTS SUBMITTED BY JANUS CONTAIN INFORMATION OF A PROPRIETARY NATURE AND MAY NOT BE REPRODUCED OR USED TO MANUFACTURE ANYTHING IN PART OR IN WHOLE FOR ANY PURPOSE OTHER THAN THAT WHICH IS NECESSARY FOR PREPARATION OF BIDS OF ENGINEERING WITHOUT THE EXPRESS PERMISSION OF JANUS WHICH MAY RECALL DOCUMENTS AT ANY TIME.

UNLESS OTHERWISE SPECIFIED DIMENSIONS ARE IN INCHES. TOLERANCES LISTED BELOW.

DECIMAL	FRACTIONS	ANGLES	HOLE DIAMETERS
X.XX	+/-0.030"	+/-1/16"	+/- 0° 30'
X.XXX	+/-0.005"		
			UNDER 0.251
			0.251 - 0.500
			OVER 0.500

PART NUMBER:	
MATERIAL:	
APPLIED FINISH:	
UNIT OF MEASURE:	
APPROVALS	DATE
DRAWN: BOBBY ABERCROMBIE	08-11-22
CHECKED: CURT SCHROEDER	08-11-22
APPROVED: CURT SCHROEDER	08-11-22

**JANUS INTERNATIONAL GROUP, LLC.**  
135 JANUS INTERNATIONAL BLVD TEMPLE, GA 30179  
770-562-2850/Fax 770-562-2264  
© 2022 Janus International Group, LLC. All Rights Reserved

CERTIFIED WIND LOAD RATED 26 GA.  
SERIES 1850/1850-IM & 3100/3100-IM  
DOOR ASSEMBLY

SIZE: **B** DRAWING NUMBER: **T1017** REV. **B**

SCALE: NONE SHEET: 3 OF 3