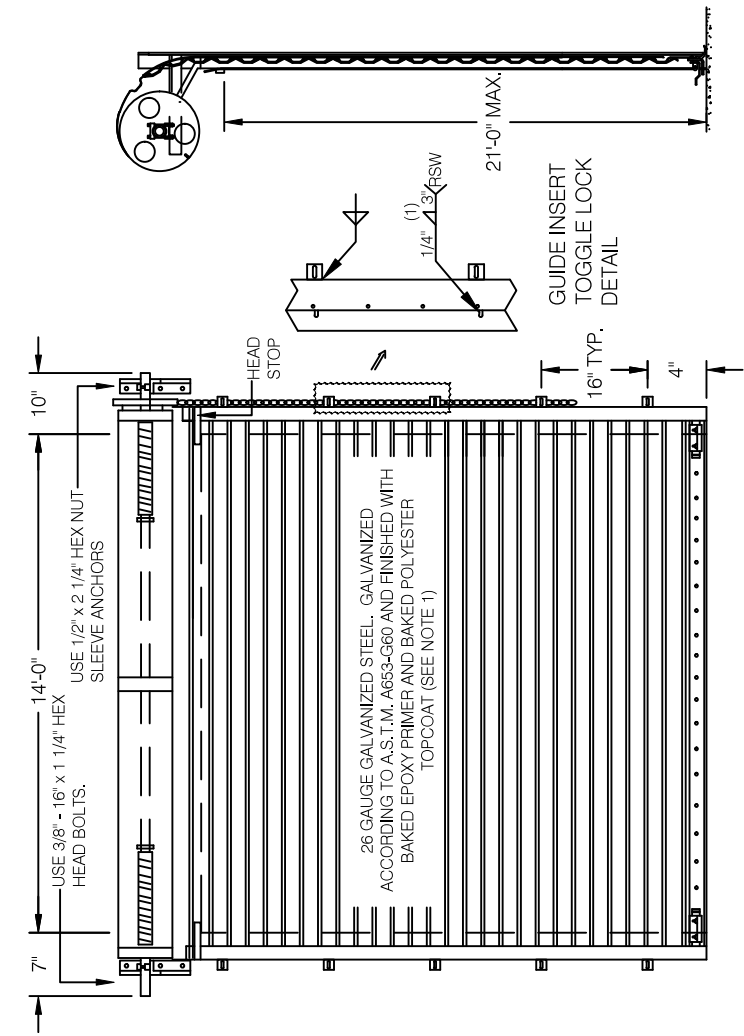


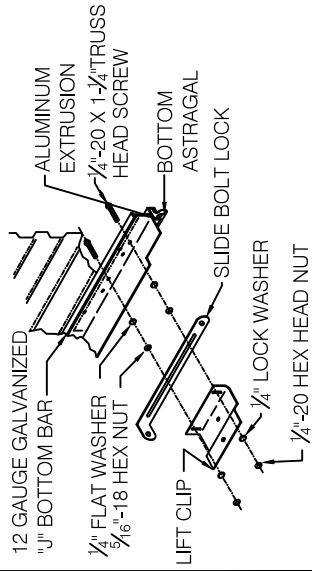
STEEL JAMB

CMU POURED BLOCK JAMB

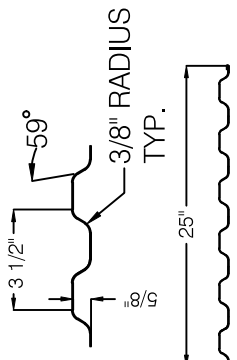
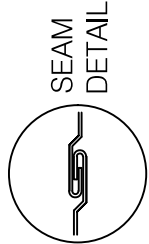
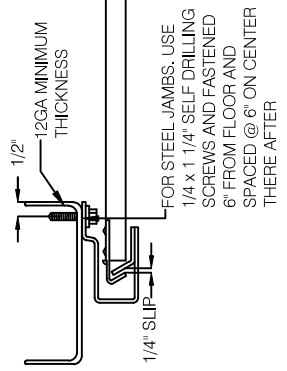


INTERIOR ELEVATION

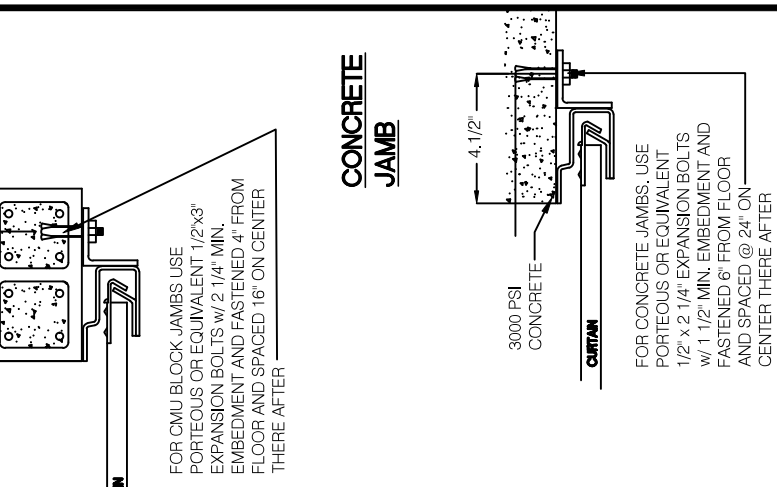
ONE LOCK LOCATED AT EACH END OF CURTAIN.



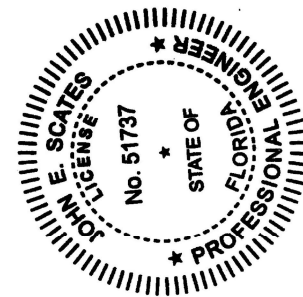
SLIDE BOLT LOCK AND BOTTOM BAR



SIDE ELEVATION



CONCRETE JAMB



Digitally signed by John E. Scates, P.E.
Date: 2021.04.16 12:48:09 -05'00'

SEAL

SCALE: VARIES (DO NOT SCALE DRAWINGS)

TOLERANCES
FRACTION = +/- 1/32

X = +/- .002
.XX = +/- .015
.XXX = +/- .005 < +/- 5

DRAWN BY: SR ISSUE: 4-6-21

ASTAAMERICA
BY JANUS INTERNATIONAL

638 Cassville White Rd NW
Cartersville, GA 30121
PH:(770) 974-2600
Fax:(770) 974-1455
www.astaamerica.com

MODEL 203J WINDLOAD RATED WINDLOCK COMMERCIAL SHEET DOOR

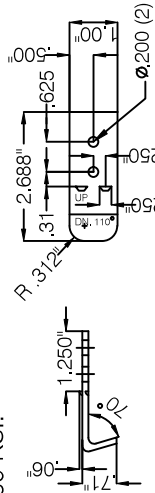
TEST SIZE 14'-0" W x 10' H	12GA +/- CONCRETE DESIGN PRESSURE +195.0 / -95.0	FILLED CMU DESIGN PRESSURE +27.0 / -80.0
--------------------------------------	--	--

MODELS 203J 204J	DRAWING # 203J
-------------------------------	--------------------------

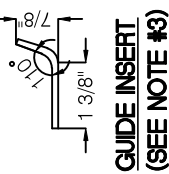
SHEET 1 OF 2

GENERAL NOTES:

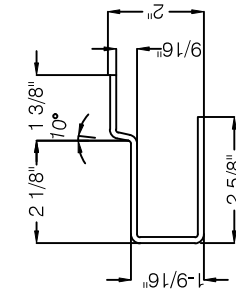
- STEEL FOR CORRUGATED SHEET ASTM-A653 WITH MINIMUM YIELD STRENGTH OF 80 KSI AND TENSILE STRENGTH OF 82 KSI. (GRADE 80).
- GUIDES ROLL FORMED (12) GAUGE GALVANIZED STEEL.
- GUIDE INSERT FORMED (12) GAUGE GALVANIZED STEEL.
- (10) GAUGE GALVANIZED STEEL WINDLOCK CLIP FASTENED WITH TWO 3/16" x .440" POP RIVETS ON FOUR CORRUGATIONS PER SIDE OF EACH SHEET.
- THIS DOOR HAS BEEN DESIGNED AND TESTED IN ACCORDANCE WITH THE FLORIDA BUILDING CODE AND THE INTERNATIONAL BUILDING CODE. THE DESIGN WIND PRESSURES REQUIRED FOR ANY DOOR SHALL BE DETERMINED USING THE APPROPRIATE SECTION OF THE CODE HAVING JURISDICTION WHERE THE BUILDING IS LOCATED.
- THIS DOOR HAS BEEN SUCCESSFULLY TESTED TO THE UNIFORM STATIC AIR PRESSURE TEST PER ASTM E-330 AND ANSI/DASMA 108. DESIGN PRESSURE OF +35.0 / -35.0 PSF FOR 12GA STEEL AND CONCRETE JAMBS AND +27.0 PSF / -30.0 PSF FOR FILLED CMU.
- ALL FASTENERS SHALL BE GALVANIZED OR ZINC COATED WITH A MINIMUM TENSILE STRENGTH OF 60 KSI.



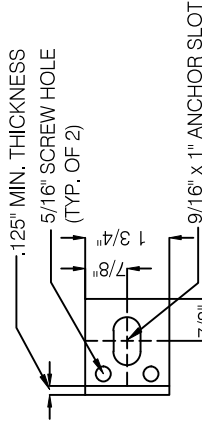
WINDLOCK CLIP
(SEE NOTE #4)



GUIDE INSERT
(SEE NOTE #3)



SEE NOTE #2



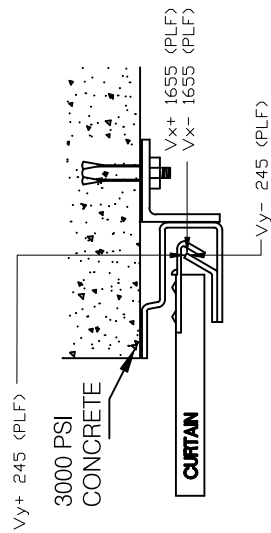
HEAVY DUTY GUIDE CLIP



John E. Scates, P.E.
2560 King Arthur Blvd, Ste
124-54
Lewisville, TX 75056
FL PE 51737

Professional Engineer's seal provided only for verification of windload construction details.

SUPERIMPOSED LOAD DIAGRAM



Extrapolated Design Pressures (PSF)

Opening Width	12GA Steel & Concrete	Filled CMU
8'	+84.0/-93.6	+66.7/-82.0
9'	+69.3/-75.3	+54.6/-65.6
10'	+58.6/-62.3	+45.9/-54.0
11'	+50.5/-52.7	+39.3/-45.5
12'	+44.2/-45.4	+34.3/-39.1
13'	+39.1/-39.6	+29.9/-34.0
14'	+35.0/-35.0	+27.0/-30.0
15'	+31.2/-31.2	+24.0/-26.7
16'	+28.1/-28.1	+21.6/-24.0
17'	+25.5/-25.5	+19.5/-21.7
18'	+23.2/-23.2	+17.8/-19.8
19'	+21.3/-21.3	+16.3/-18.2
20'	+19.6/-19.6	+15.0/-16.7

ASTAAMERICA
BY JANUS INTERNATIONAL

638 Cassville White Rd NW
Cartersville, GA 30121
PH:(770) 974-2600
Fax:(770) 974-1455
www.astaamerica.com

**MODEL 203J WINDLOAD RATED
WINDLOCK COMMERCIAL SHEET DOOR**

TEST SIZE	12GA + CONCRETE DESIGN PRESSURE	FILLED CMU DESIGN PRESSURE
14'-0" W x 10' H	+95.0 / -95.0	+27.0 / -80.0

MODELS
203J
204J

DRAWN BY: SR ISSUE: 4-6-21

DRAWING # 203J

SHEET 2 OF 2