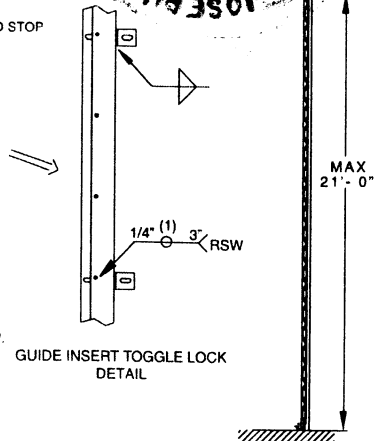


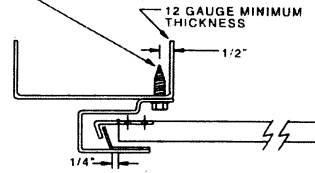
INTERIOR ELEVATION



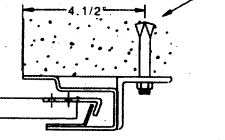
SIDE ELEVATION

FOR STEEL JAMB. USE #14 X 1" SELF-DRILLING SCREWS AND FASTENED 6" FROM FLOOR AND SPACED AT 6" ON CENTER THEREAFTER.

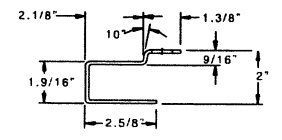
FOR CONCRETE JAMB. USE 1/2" X 2 1/4" EXPANSION BOLTS WITH 1 1/2" MINIMUM EMBEDMENT AND FASTENED 8" FROM FLOOR AND SPACED AT 24" ON CENTER THEREAFTER.



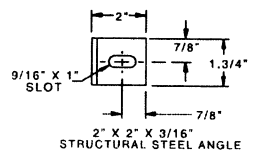
STEEL JAMB



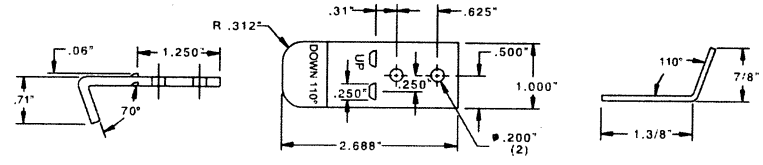
CONCRETE JAMB



(SEE NOTE 2.)



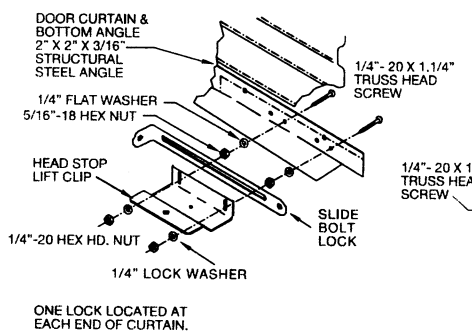
HEAVY DUTY GUIDE CLIP



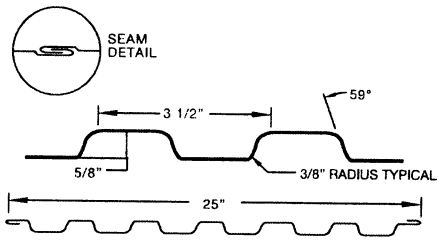
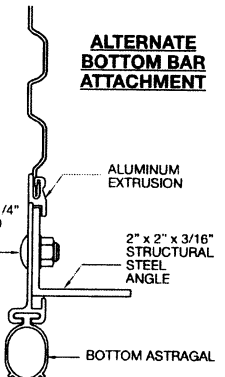
WINDLOCK CLIP
(SEE NOTE 4.)

GUIDE INSERT
(SEE NOTE 3.)

SLIDE BOLT LOCK BOTTOM BAR



ALTERNATE BOTTOM BAR ATTACHMENT



CORRUGATED SHEET

- NOTES:**
1. STEEL FOR CORRUGATED SHEET ASTM-A653 WITH A MINIMUM YIELD STRENGTH OF 80 KSI AND TENSILE STRENGTH OF 82 KSI. (GRADE 80)
 2. GUIDES ROLL FORMED (12) GAUGE (.110"-.120") GALVANIZED STEEL.
 3. GUIDE INSERT FORMED (12) GAUGE GALVANIZED STEEL.
 4. (10) GAUGE GALVANIZED STEEL WINDLOCK CLIP FASTENED WITH TWO 3/16" X .440" POP RIVETS ON FOUR CORRUGATIONS PER SIDE OF EACH SHEET.

SUMMARY OF CATENARY FORCES FOR ALTERNATIVE DOORS COMPARED TO CERTIFIED TESTING LABORATORIES REPORT NO.: CTLA-1253W, DATED 8/02/04

ROLLING SHEET DOOR

TEST DOOR: 16' WIDE X 8' HIGH, DESIGN WINDLOAD +/- 35.0 PSF
STATIC AIR PRESSURE TEST CONDUCTED IN ACCORDANCE WITH ASTM E330-02

DESIGN WIND FORCES ARE CALCULATED TO PRODUCE CATENARY FORCES AT THE GUIDES EQUAL TO OR LESS THAN THOSE CALCULATED FOR THE TEST DOOR.

THIS INDICATES THAT THE CURTAIN, WINDLOCKS, WINDLOCK CONNECTIONS, GUIDE ANGLES, AND JAMB ANCHORAGES WILL ALL BE STRESSED TO APPROXIMATELY THE SAME AS THOSE IN THE TEST DOOR, PROVIDED THAT THE DOOR IS CONSTRUCTED THE SAME FOR ALL OPENING WIDTHS.

Width	Design Windload	Door			
		ft	Pos psf	Neg psf	Model
16 x 7 Test Door	16	35	35	203	0.017

Calibration calculations for test door

Comparative forces by calculation to determine maximum design pressure

Max Door Size	Width	Pos psf	Neg psf	Model	gauge in
8 x 21	8	113.1	113.1	203	0.017
9 x 21	9	91.4	91.4	203	0.017
10 x 21	10	76.0	76.0	203	0.017
11 x 21	11	64.6	64.6	203	0.017
12 x 21	12	55.8	55.8	203	0.017
13 x 21	13	48.9	48.9	203	0.017
14 x 21	14	43.3	43.3	203	0.017
15 x 21	15	38.8	38.8	203	0.017
16 x 21	16	35.0	35.0	203	0.017
17 x 21	17	31.8	31.8	203	0.017
18 x 21	18	29.1	29.1	203	0.017
19 x 21	19	26.7	26.7	203	0.017
20 x 21	20	24.6	24.6	203	0.017

ASTA Door Corporation
4255 McEver Industrial Drive
Acworth, GA 30101
Phone: (770) 974-2600 / Fax: (770) 974-1455
Web Site: www.astadoor.com

Model 203 Windlock Commercial Sheet Door

TEST SIZE	DESIGN PRESSURE	TEST PRESSURE
16' WIDE x 8' HIGH	±35.0	±52.5

MAXIMUM SIZE 20' WIDE x 21' HIGH

SCALE = VARIES	TEST LOCATION
TOLERANCES FRACTION = ± 1/32	CERTIFIED TESTING LABORATORIES 7252 NARCOOSEE ROAD ORLANDO, FL 32822
.X = ± .032 .XX = ± .015 .XXX = ± .005 ± ± 5	REFERENCE CTL TEST REPORT #1253W EVALUATION REPORT #ER-07-0005

DRAWN BY: JCF
ISSUE: 5-15-07
REVISED: 9-2-09

DO NOT SCALE DRAWING DRAWING #607-1-203 SHEET 1 OF 1