



JANUS
INTERNATIONAL GROUP

JANUS INTERNATIONAL GROUP LLC

135 JANUS INTERNATIONAL BLVD.
TEMPLE, GA 30179
PHONE 770-562-2850 / FAX 770-562-1991

www.janusintl.com

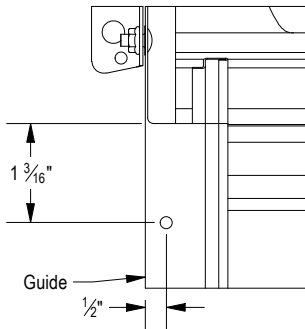
M650NS+ SUPPLEMENTAL INSTALLATION INSTRUCTION

Rev. Date: 10/17/2023

810042-0002

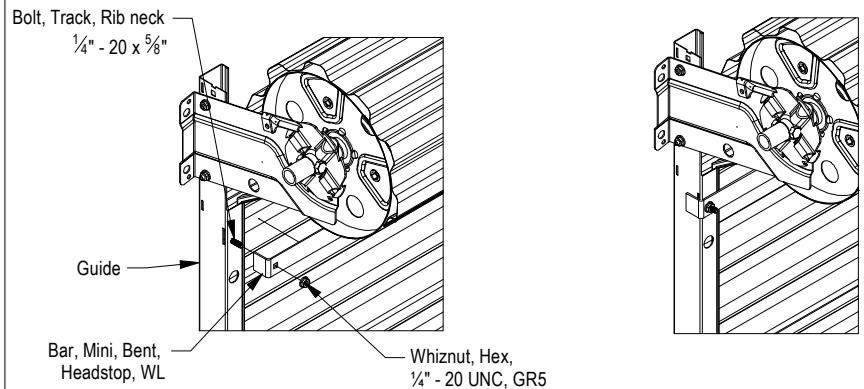
STEP 1

INSTALL THE MINI HANDLE



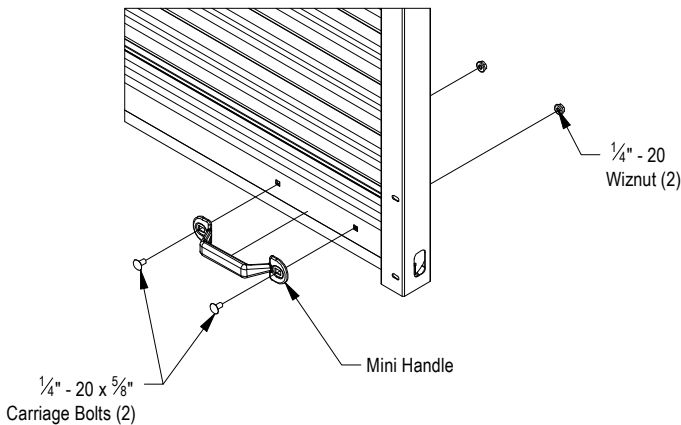
STEP 2

PLACE THE SUPPORT ANGLE



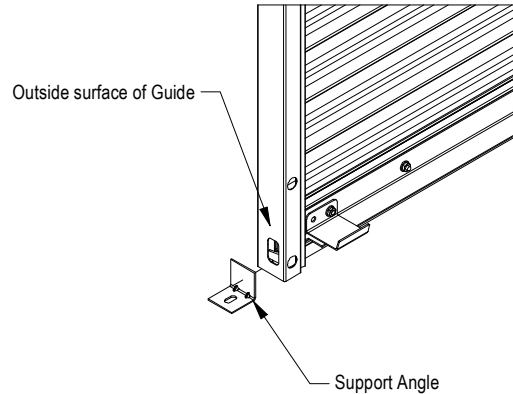
STEP 1

INSTALL THE MINI HANDLE



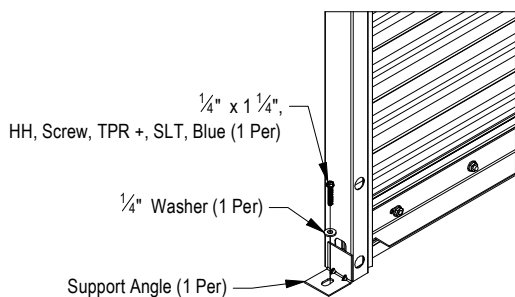
STEP 2

PLACE THE SUPPORT ANGLE



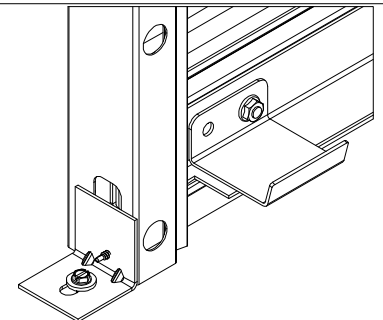
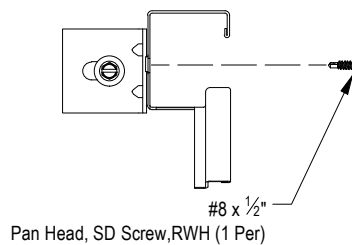
STEP 3

SECURE THE SUPPORT ANGLE



STEP 4

VERIFY SUPPORT ANGLES ARE SECURE



STEP 1: To begin installation of the replacement Bent Mini Headstops, on each Guide, create a mark from the top of the bellmouth down 1-3/16", then 1/2" in from the outside of guide. Next, drill a hole 1/4" in diameter.

STEP 2: Insert a 1/4"-20 x 5/8" Bolt, Track, Rib Neck from the inside of the guide into the 1/4" diameter hole, drilled. Place a Bent Mini Headstop over the bolt, and secure using a 1/4" -20 Whiznut, Hex. Repeat **Steps 1 & 2** to install the remaining Bent Mini Headstop.

STEP 3: Install the Mini Handle to the bottom bar on latch side of door using (2) 1/4" - 20 x 5/8" Carriage bolts and (2) 1/4"-20 Whiznuts.

STEP 4: Place the Support Angle on floor and against the outside surface of the Guide.

STEP 5: Secure the Support Angle to the floor using the (1) 1/4" x 1-1/4" HH, TPR+, SLT, Blue, Screw and (1) 1/4" Washer. Next secure the Support Angle to the Guide using (1) #8 x 1/2" Pan Head, SD Screw, RWH. Repeat **steps 3 & 4** to install the remaining Support Angle on the opposite side.

STEP 6: Verify both Support Angles have been properly secured to the floor and Guides.

NOTE:

▶ (1) HANDLE TO BE PROVIDED AND INSTALLED ON THE LATCH SIDE, ONLY.

NOTE:

▶ (2) SUPPORT ANGLES WILL BE PROVIDED AND INSTALLATION OF SUPPORT ANGLES ARE REQUIRED. FAILURE TO PROPERLY INSTALL SUPPORT ANGLES WILL RESULT IN DOOR NOT BEING CONSIDERED ENHANCED SECURITY (NS)