



**JANUS**  
INTERNATIONAL GROUP

**JANUS INTERNATIONAL GROUP LLC**

135 JANUS INTERNATIONAL BLVD.  
TEMPLE, GA 30179  
PHONE 770-562-2850 / FAX 770-562-1991

www.janusintl.com

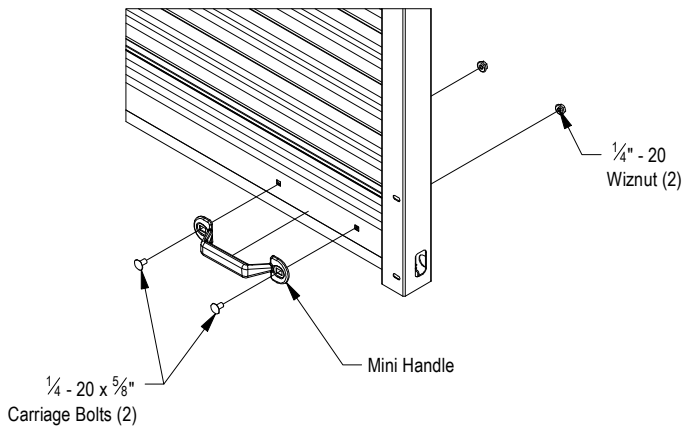
# M650NS SUPPLEMENTAL INSTALLATION INSTRUCTION

Rev. Date: 10/17/2023

810042-0000

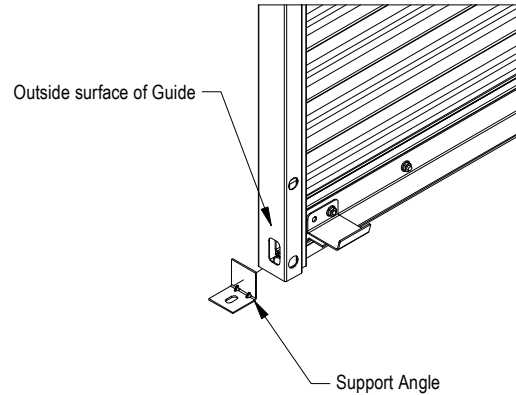
## STEP 1

### INSTALL THE MINI HANDLE



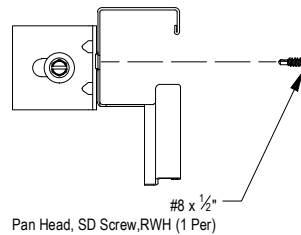
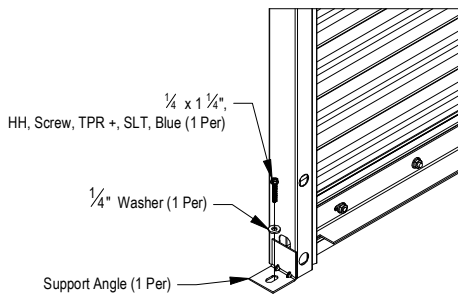
## STEP 2

### PLACE THE SUPPORT ANGLE



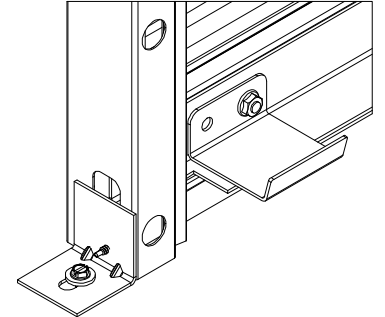
## STEP 3

### SECURE THE SUPPORT ANGLE



## STEP 4

### VERIFY SUPPORT ANGLES ARE SECURE



**STEP 1:** Install the Mini Handle to the bottom bar on latch side of door using (2)  $\frac{1}{4}$ " - 20 x  $\frac{5}{8}$ " Carriage bolts and (2)  $\frac{1}{4}$ "-20 Wiznuts.

**STEP 2:** Place the Support Angle on floor and against the outside surface of the Guide.

**STEP 3:** Secure the Support Angle to the floor using the (1)  $\frac{1}{4}$  x 1- $\frac{1}{4}$ " HH, TPR+, SLT, Blue, Screw and (1)  $\frac{1}{4}$ " Washer. Next secure the Support Angle to the Guide using (1) #8 x  $\frac{1}{2}$ " Pan Head, SD Screw, RWH. Repeat **steps 2 & 3** to install the remaining Support Angle on the opposite side.

**STEP 4:** Verify both Support Angles have been properly secured to the floor and Guides.

#### NOTE:

► (1) HANDLE TO BE PROVIDED AND INSTALLED ON THE LATCH SIDE, ONLY.

#### NOTE:

► (2) SUPPORT ANGLES WILL BE PROVIDED AND INSTALLATION OF SUPPORT ANGLES ARE REQUIRED. FAILURE TO PROPERLY INSTALL SUPPORT ANGLES WILL RESULT IN DOOR NOT BEING CONSIDERED ENHANCED SECURITY (NS)