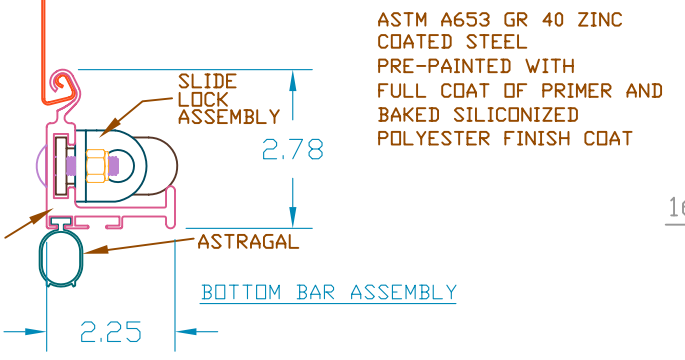
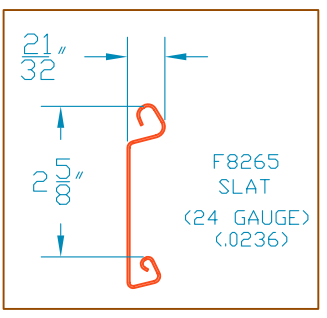
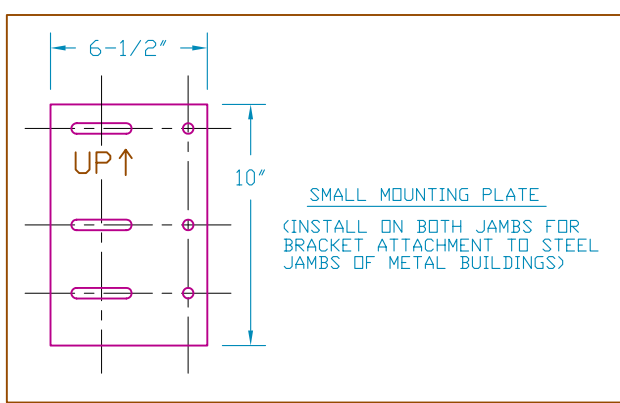
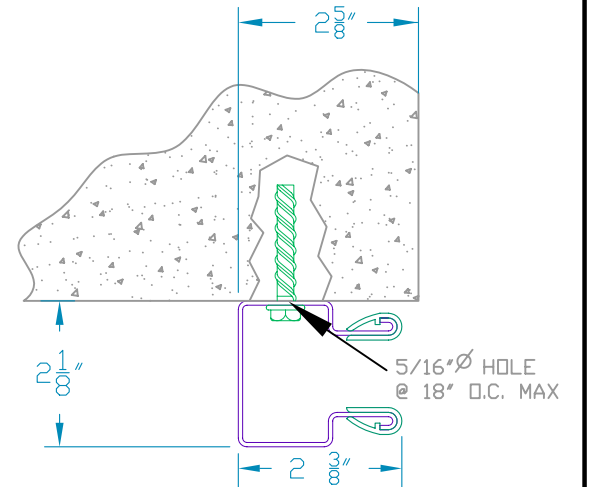


BRACKET ATTACHMENT
 CONCRETE/MASONRY: POWERS WEDGE-BOLT, 3/8 X 1-3/4" LONG
 STEEL: TYPE 23 HWH THD CUTTING SCREW, 3/8-16 X 1"

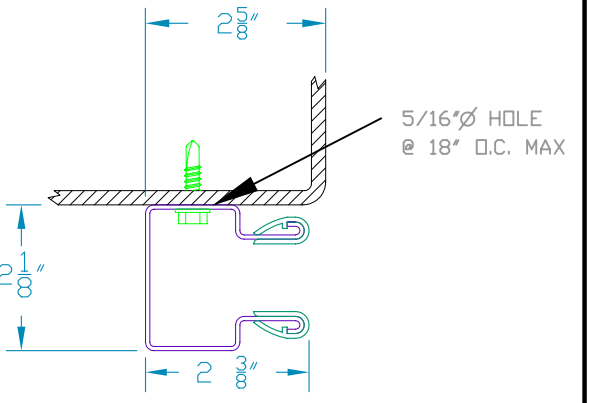
(*) FOR PUSH-UP OPERATION: 4-1/8"
 FOR HAND CHAIN OPERATION: 4-7/8"
 FOR ELECTRIC OPERATION: 5-5/8"
 FOR OUTSIDE OF CHAIN DRIVE: 6-3/8"
 NOTE: RIGHT SIDE DRIVE SHOWN



REVISIONS			
REV	DESCRIPTION	DATE	APPROVAL
-	DRAWING RELEASE	5-9-08	DM



CONCRETE/FILLED BLOCK JAMBS
 USING 1/4" X 1-3/4" POWERS WEDGE-BOLT



STEEL JAMBS
 USING 1/4-14 X 1" TEKS

16 GA (.063) GUIDE MOUNTING DETAIL

ALL COMPONENTS SHALL BE
 ASTM A653 STEEL W/MIN
 FY=33 KSI GALVANIZED
 PER ASTM A653 G-90

SIDE VIEW

INSIDE ELEVATION

SEE SHEET 2 FOR NOTES

ALLOWABLE TRANSVERSE
 DESIGN WIND LOADS (PSF)

MAX DOOR WIDTH	MAX DOOR HEIGHT (FT)	DESIGN WIND LOADS (PSF)
6'-4"	20	+28.3/-33.6
7'-4"	20	+24.4/-29.1
8'-4"	20	+21.5/-25.6
9'-4"	20	+19.2/-22.9
10'-4"	20	+17.4/-20.7

HEADROOM REQUIRED

OPENING HEIGHT	VERTICAL HEADROOM	HORIZONTAL HEADROOM
THRU 8'-0"	17'	19'
OVER 8'-0" THRU 10'-0"	19'	21'
OVER 10'-0" THRU 14'-0"	20'	22'
OVER 14'-0" THRU 16'-0"	21'	23'
OVER 16'-0" THRU 18'-0"	22'	24'
OVER 18'-0" THRU 20'-0"	23'	25'

THESE CONFIDENTIAL DOCUMENTS SUBMITTED BY JANUS CONTAIN INFORMATION OF A PROPRIETARY NATURE AND MAY NOT BE REPRODUCED OR USED TO MANUFACTURE ANYTHING IN PART OR IN WHOLE FOR ANY PURPOSE OTHER THAN THAT WHICH IS NECESSARY FOR PREPARATION OF BIDS OF ENGINEERING WITHOUT THE EXPRESS PERMISSION OF JANUS WHICH MAY RECALL DOCUMENTS AT ANY TIME.

UNLESS OTHERWISE SPECIFIED DIMENSIONS ARE IN INCHES AND TOLERANCES ARE:

DECIMAL	FRACTIONS	ANGLES	HOLE DIAMETERS
.XX ±.03	± 1/16	± 0° 30'	UNDER .251 +.004 -.003
.XXX ±.005			.251 to .500 +.006 -.003
			OVER .500 +.008 -.003

PART NUMBER:	NA
MATERIAL:	NA
APPLIED FINISH:	NA
UNIT OF MEASURE:	NA
APPROVALS	DATE
DRAWN:	CINDY WOOTEN 5-9-08
CHECKED:	DON MILLS 5-9-08
APPROVED:	DON MILLS 5-9-08

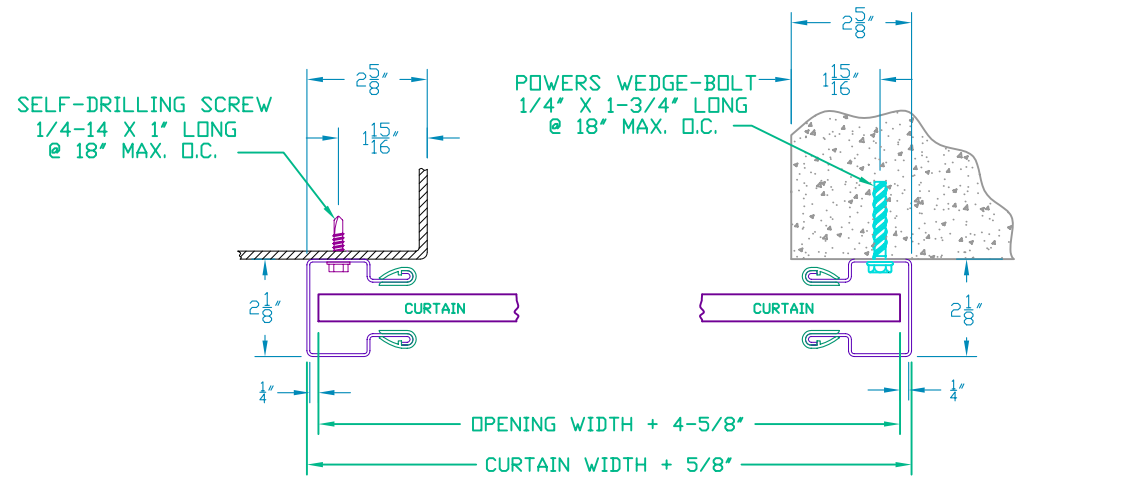
JANUS INTERNATIONAL CORPORATION®
 134 JANUS INTERNATIONAL BLVD TEMPLE, GA 30179
 770-562-2850/Fax 770-562-1991
 © 2008 Janus International Corporation All Rights Reserved

**CERTIFIED WIND LOAD RATED
 SERIES MD16 DOOR ASSEMBLY
 MAX. SIZE 10'-4" X 20'-0"**

SIZE: **B** DRAWING NUMBER: **RS9000** REV: **—**

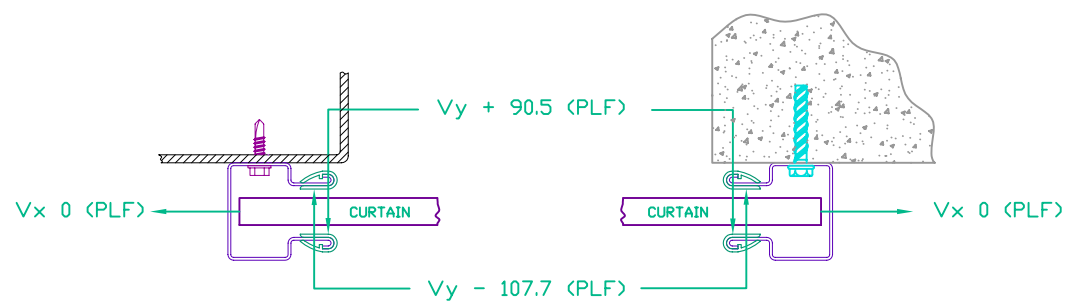
SCALE: NONE SHEET: 1 OF: 2

REVISIONS			
REV	DESCRIPTION	DATE	APPROVAL
-	DRAWING RELEASE	5-9-08	DM



STEEL JAMBS
LH GUIDE MOUNT SHOWN

CONC/FILLED BLOCK JAMBS
RH GUIDE MOUNT SHOWN

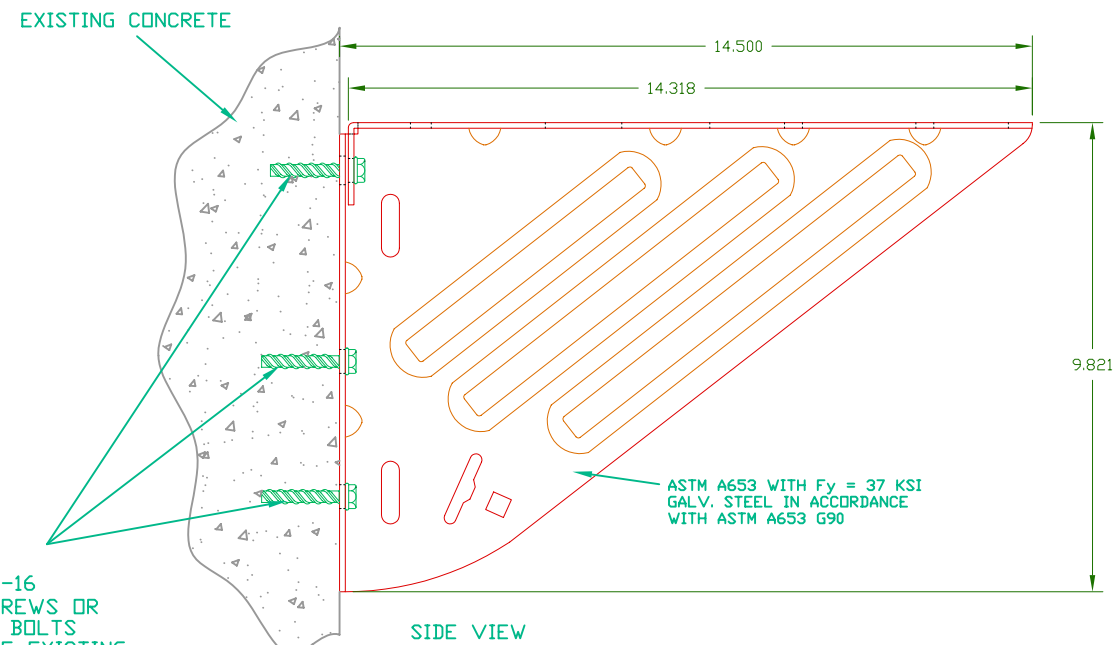


STEEL JAMBS
LH GUIDE MOUNT SHOWN

CONCRETE/FILLED BLOCK JAMBS
RH GUIDE MOUNT SHOWN

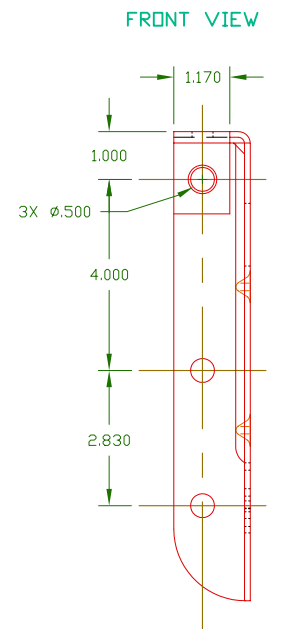
SUPERIMPOSED LOAD DIAGRAM

THREE 3/8"Ø POWERS WEDGE-BOLTS W/ 1-1/2" MIN. EMBEDMENT IN CONCRETE OR THREE 3/8-16 HWH THREAD CUTTING SCREWS OR THREE 3/8" STEEL THRU BOLTS INTO MIN. 1/8" STEEL. IF EXISTING IS MASONRY, FILL CELL W/2500 PSI GROUT.



SIDE VIEW

DOOR MOUNTING BRACKET DETAIL



FRONT VIEW

GENERAL NOTES

- THIS ROLLING DOOR SYSTEM IS DESIGNED IN ACCORDANCE WITH ASCE 7-02, 2007 FBC AND INTERNATIONAL BUILDING CODE 2006.
- THIS ROLLING DOOR HAS BEEN TESTED IN ACCORDANCE WITH ASTM E-330 AND ANSI/DASMA 108 TO SAFELY RESIST A POSITIVE OR NEGATIVE WIND LOAD AS NOTED BELOW. A TEST LOAD OF 1.5 X DESIGN LOAD HAS BEEN USED.

DESIGN LOAD = +17.4 PSF
-20.7
- WIND LOADS FOR BUILDING OPENINGS SHALL BE DETERMINED BY A PROFESSIONAL ENGINEER USING APPROPRIATE WIND SPEED AND DESIGN CRITERIA. THIS DOOR MAY BE USED WHERE THE DESIGN LOAD MEETS OR EXCEEDS THE DESIGN LOAD FOR THE BUILDING OPENING.
- SUPERIMPOSED LOADS ON THE JAMBS FROM THIS DOOR ARE DESIGNED AS Vx AND Vy HEREIN. CONTRACTORS SHALL HAVE BUILDING ENGINEER VERIFY ADEQUACY OF BUILDING STRUCTURE TO RESIST SUPERIMPOSED LOADS Vx, Vy AND BRACKET LOADS SHOWN.
- ALL WELDING SHALL BE PERFORMED BY QUALIFIED WELDERS IN ACCORDANCE WITH A.W.S. SPECIFICATIONS, LATEST EDITION. ALL WELDING ELECTRODES SHALL CONFORM TO A.W.S. A5.1 GRADE E-70.
- DOORS SHALL BE PROVIDED WITH LOCK MECHANISMS LOCATED AT BOTH ENDS OF THE BOTTOM BAR.
- ALL BOLTS AND WASHERS SHALL BE GALVANIZED OR STAINLESS STEEL WITH A MINIMUM TENSILE STRENGTH OF 60 KSI.

- DESIGN BASED ON CERTIFIED TESTING LABORATORIES, INC., TEST REPORT NO. CTLA-1837W.
- ANCHOR NOTES:
A. EMBEDMENT LENGTH DOES NOT INCLUDE STUCCO FINISH.
B. FOR HOLLOW MASONRY, FILL ALL CELLS @ ANCHOR WITH 2500 PSI GROUT.
C. ANCHORS SHALL BE INSTALLED IN ACCORDANCE WITH MANUFACTURER'S SPECIFICATIONS.
- DOOR OPERATION TYPE TO BE PUSH-UP, HAND CHAIN, HAND CRANK OR ELECTRIC.

- GUIDE TO JAMB ATTACHMENT FASTENERS BEGIN 4" FROM FLOOR AND END 3-1/2" BELOW TOP OF WALL OPENING.
- TEST DOOR WALL OPENING SIZE: 10'-4" x 10'-0".

THESE CONFIDENTIAL DOCUMENTS SUBMITTED BY JANUS CONTAIN INFORMATION OF A PROPRIETARY NATURE AND MAY NOT BE REPRODUCED OR USED TO MANUFACTURE ANYTHING IN PART OR IN WHOLE FOR ANY PURPOSE OTHER THAN THAT WHICH IS NECESSARY FOR PREPARATION OF BIDS OF ENGINEERING WITHOUT THE EXPRESS PERMISSION OF JANUS WHICH MAY RECALL DOCUMENTS AT ANY TIME.

UNLESS OTHERWISE SPECIFIED DIMENSIONS ARE IN INCHES AND TOLERANCES ARE:

DECIMAL	FRACTIONS	ANGLES	HOLE DIAMETERS
.XX ±.03	± 1/16	± 0° 30'	UNDER .251 +.004 -.003
.XXX ±.005			.251 to .500 +.006 -.003
			OVER .500 +.008 -.003

PART NUMBER:	NA
MATERIAL:	NA
APPLIED FINISH:	NA
UNIT OF MEASURE:	NA
APPROVALS	DATE
DRAWN:	
CINDY WOOTEN	5-9-08
CHECKED:	
DON MILLS	5-9-08
APPROVED:	
DON MILLS	5-9-08

JANUS INTERNATIONAL CORPORATION®
 134 JANUS INTERNATIONAL BLVD TEMPLE, GA 30179
 770-562-2850/Fax 770-562-1991
 © 2008 Janus International Corporation All Rights Reserved

**CERTIFIED WIND LOAD RATED
 SERIES MD16 DOOR ASSEMBLY
 MAX. SIZE 10'-4" X 20'-0"**

SIZE	DRAWING NUMBER:	REV:
B	RS9000	—
SCALE:	SHEET:	OF:
NONE	2	2