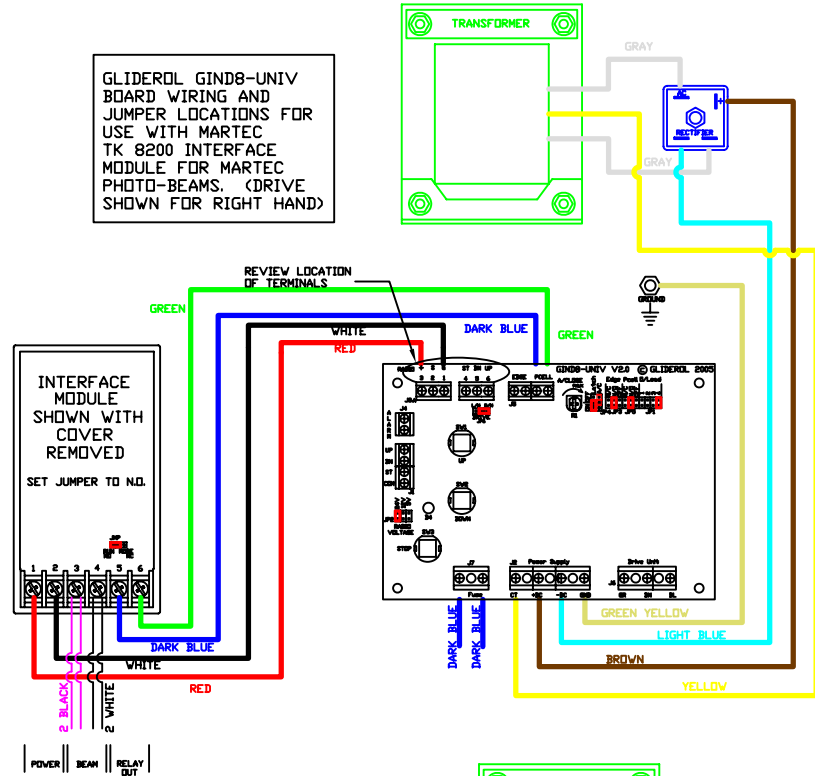


WIRING DIAGRAM #3 - B

GLIDEROL GIND8-UNIV BOARD WIRING AND JUMPER LOCATIONS FOR USE WITH MARTEC TK 8200 INTERFACE MODULE FOR MARTEC PHOTO-BEAMS. (DRIVE SHOWN FOR RIGHT HAND)



GLIDEROL GIND8-UNIV BOARD WIRING AND JUMPER LOCATIONS FOR USE WITH LIFT MASTER CPS INTERFACE MODULE FOR PHOTO-BEAMS. (DRIVE SHOWN FOR RIGHT HAND)

