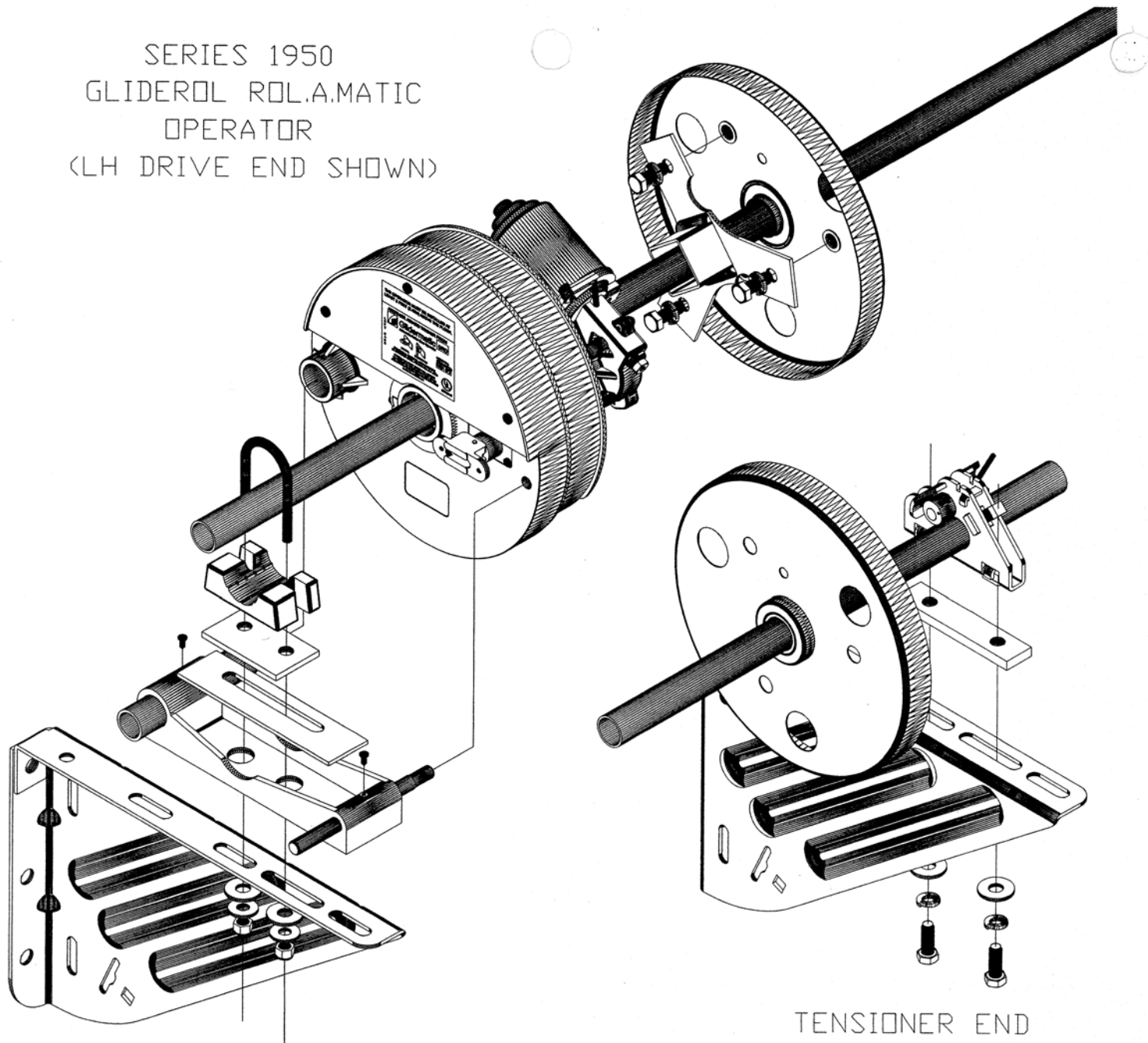


SERIES 1950  
GLIDEROL ROL.A.MATIC  
OPERATOR  
(LH DRIVE END SHOWN)



DRIVE END

TENSIONER END